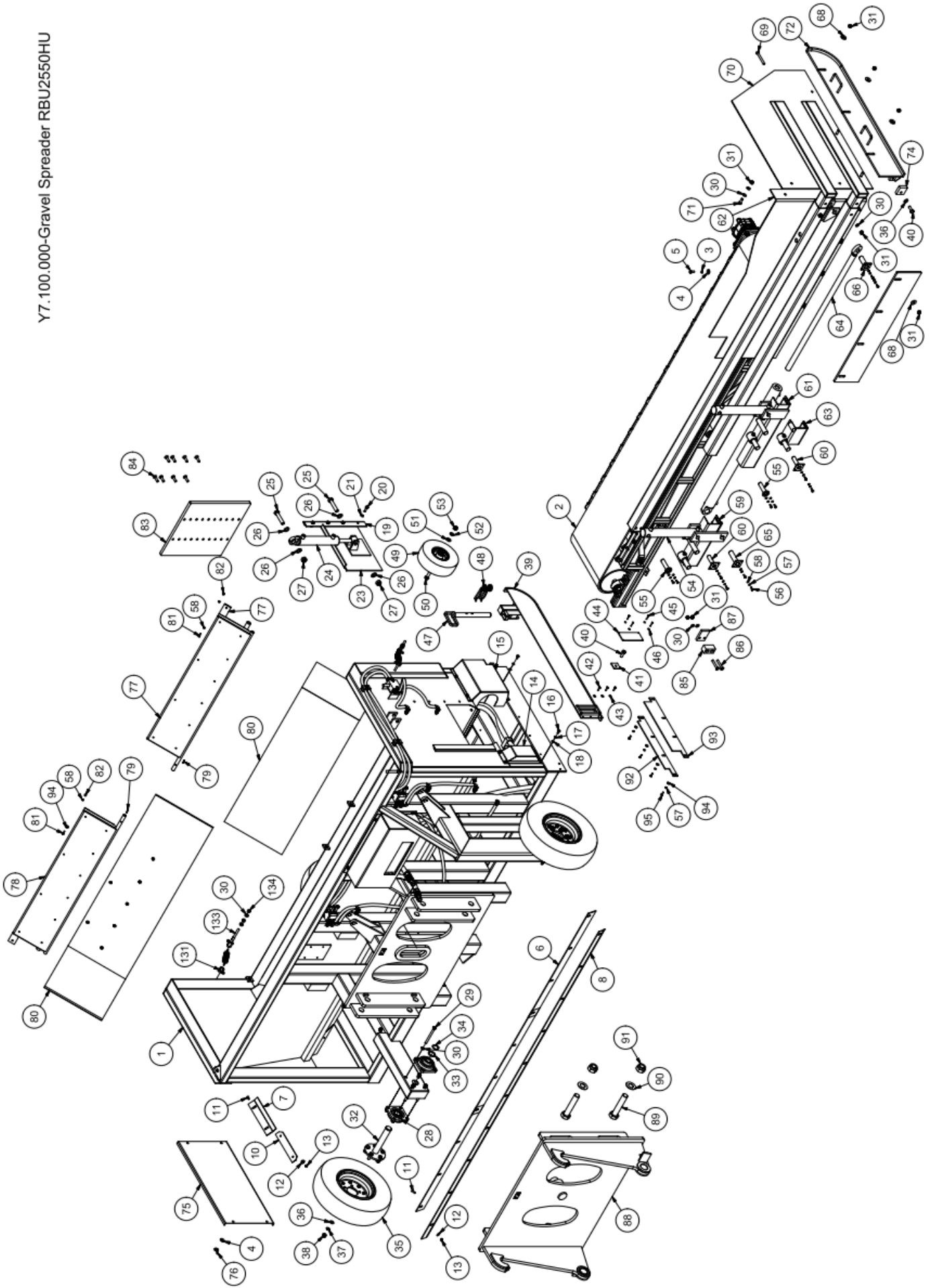
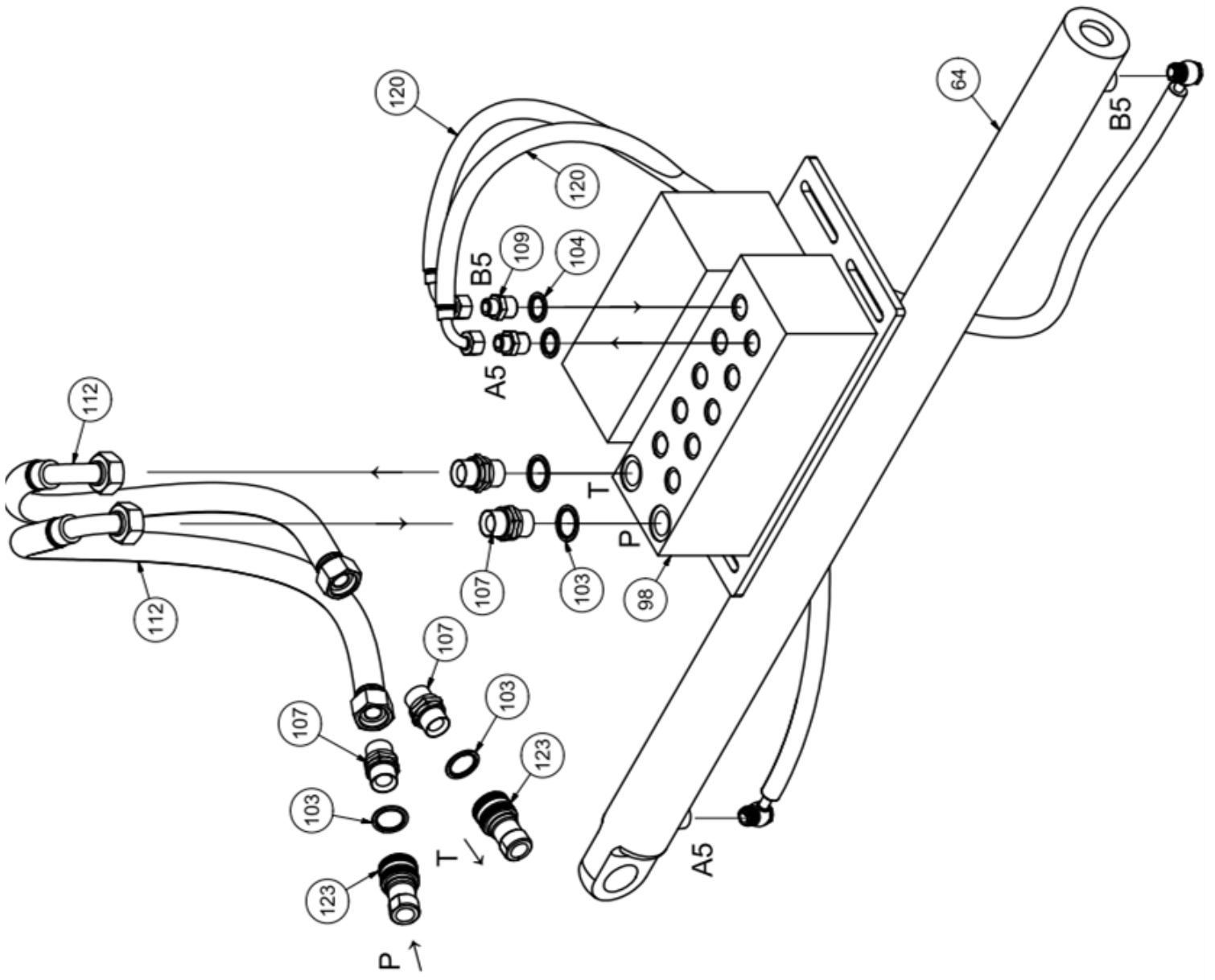


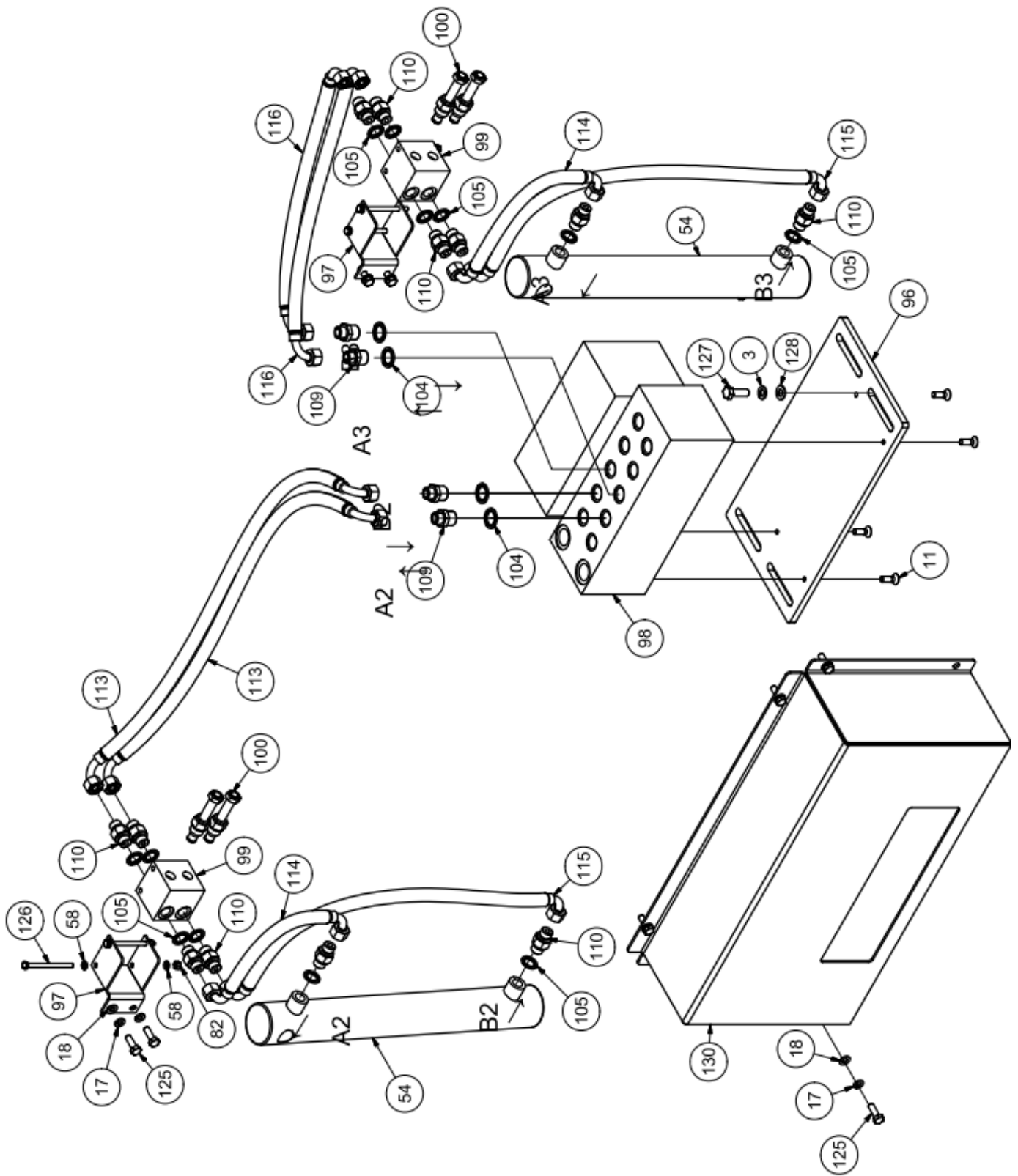
13.Spare part list

Typing.	Fabrikationsnr.:
Type no.:	Prod. no.:
Ballart nr.: _____	Prod. nr.: _____
Årgang:	Max. arb. tryk:
Year:	Max. pressure:
Jahr: _____	Max. Druck: _____
Egenvægt:	Spænding:
Own weight:	Voltage:
Eigengewicht: _____	Spannung: _____
Max. last:	
Max. load:	
Max. Last: _____	

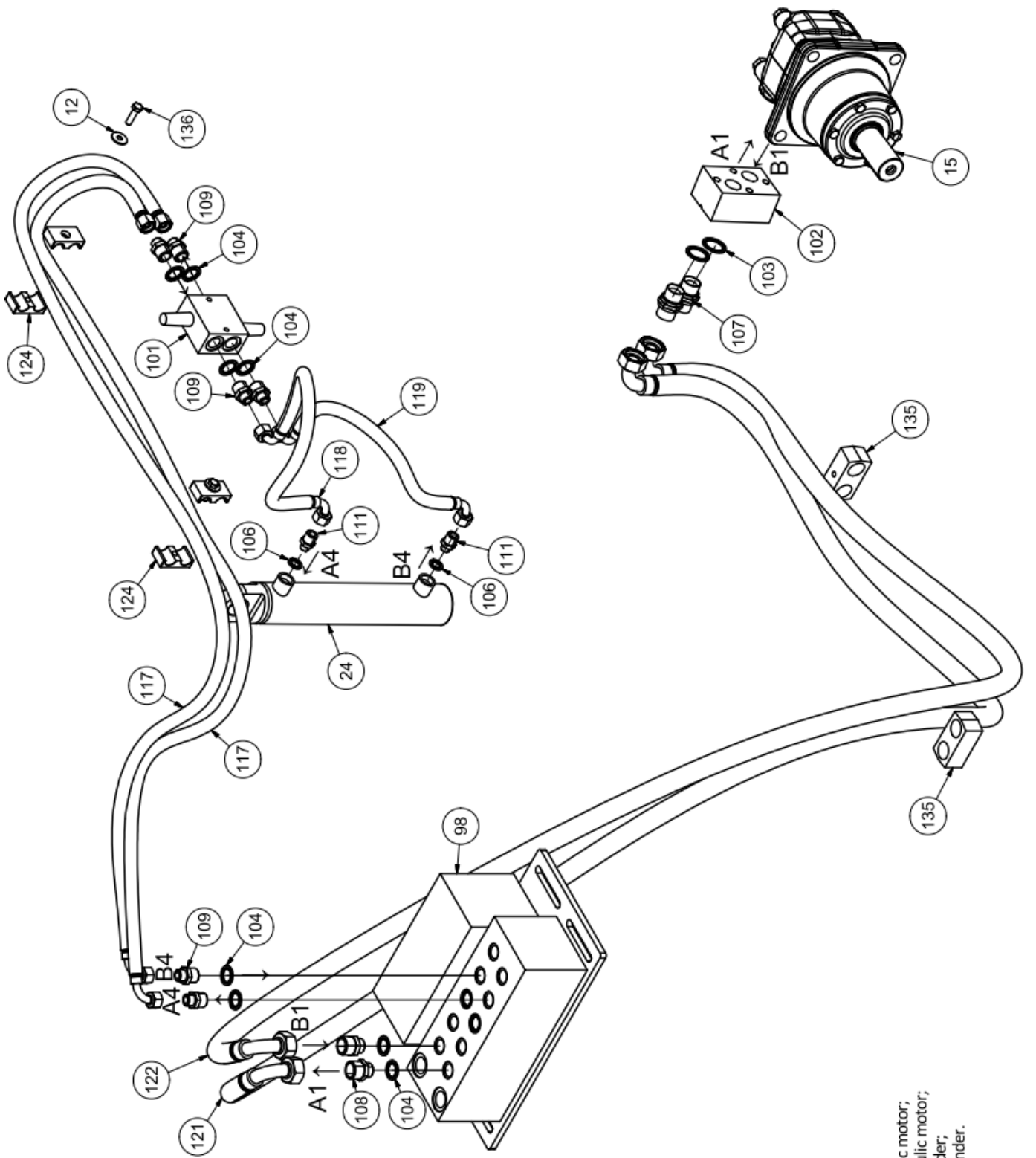




Note:
P-input PVG valve;
T-output PVG valve;
A5-input bucket in cylinder;
B5-output bucket out cylinder.



Note:
 A2-input left in cylinder;
 B2-output left cylinder;
 A3-input right cylinder;
 B3-output right cylinder.



Note:
 A1-input hydraulic motor;
 B1-output hydraulic motor;
 A4-input lid cylinder;
 B4-output lid cylinder.

Y7100000 BM2550 HU Roadside paver

BOM version: BOM05104981

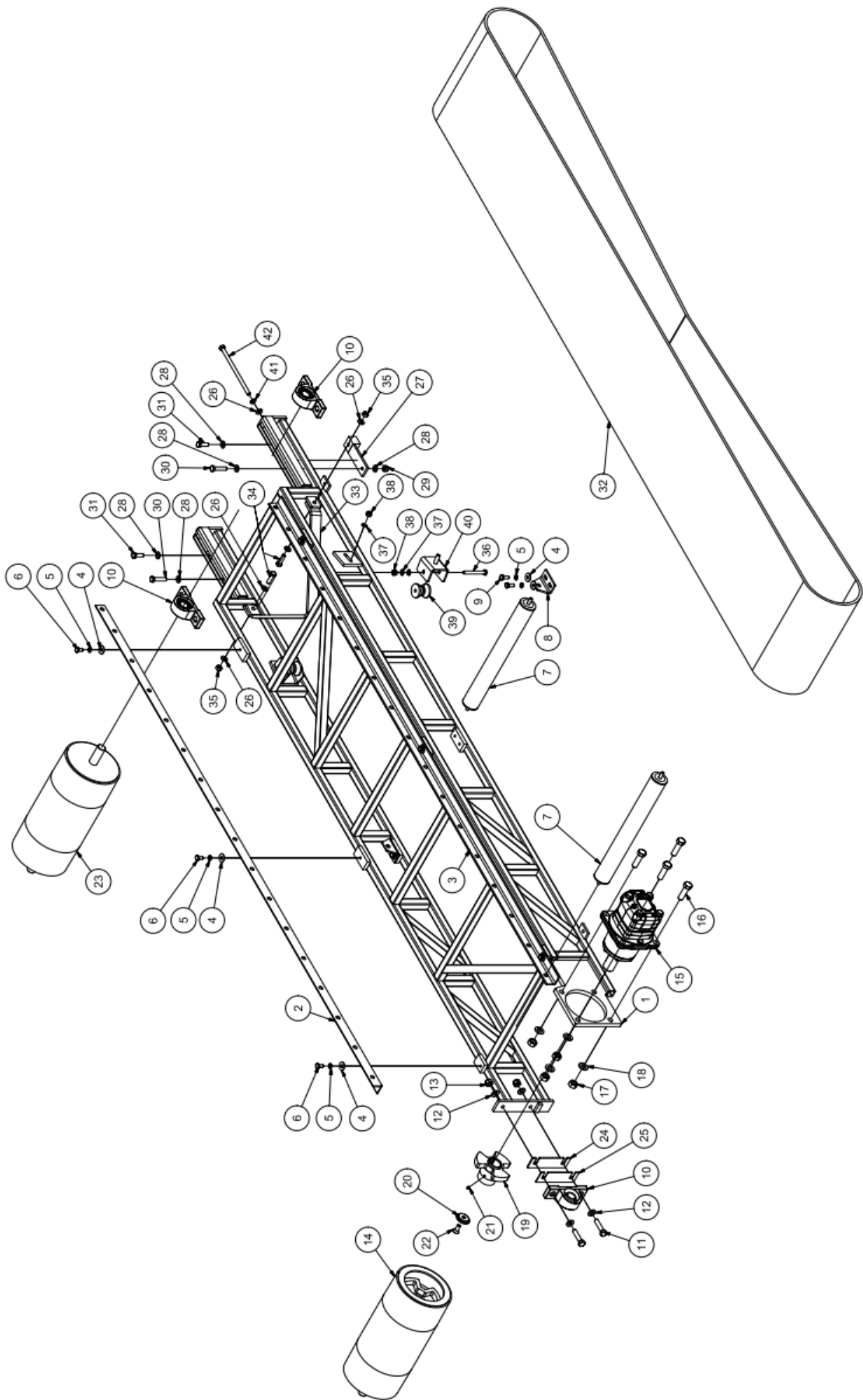
X = See separate drawing

Pos.	Item number	Description	
001	Y7100040	Welded HU frame	
002	Y7100052	Complete conveyor assembly	X
003	22056300	M10 SS FZB DIN128A Spring Lock Washer curved	
004	22058700	M10 140HV FZB DIN9021A/ ISO7093 Flat Washer without chamfer	
005	22008403	M10x25 8.8 FZB DIN933 Hex Cap Screw	
006	Y7200138	Edge seal for RBU, large	
007	Y7200190	Edge seal for RBU, small	
008	Y7100189	Fixing rubber profile	
009	Y7100190	Fixing rubber profile	
010	Y7100146	Fixing rubber plate	
011	22014402	M8x25 10.9 RAW DIN7991/ ISO10642 Hexagon Socket Countersunk	
012	22058600	M8 140HV FZB DIN9021A/ ISO7093 Flat Washer without chamfer	
013	22052003	M8 6 FZB DIN985 Prevailing Torque Hex Nut with polyamid inserted	
014	Y7100059	Small cover for motor	
015	Y7100063	Welded cover motor	
016	22008302	M8x16 8.8 FZB DIN933/ ISO4017 Hex Cap Screw	
017	22056200	M8 SS HDG DIN128A Spring Lock Washer curved	
018	11011308	M8 140HV FZB DIN125A/ ISO7089 Flat Washer without chamfer	
019	Y7200051	Slide door support right side	
020	22008405	M10x35 8.8 FZB DIN933 Hex Cap Screw	
021	22058410	M10 140HV FZB DIN 125 ISO7090 Flat Washer with chamfer	
022	22052004	M10 6 FZB DIN985 Prevailing Torque Hex Nut with polyamid inserted	
023	Y7200077	Release dor	
024	21097706	Hydr. cyl. dobb. ø25/40x250	
025	22002711	M20x100 8.8 FZB DIN931/ ISO4014 Hex Cap Screw	
026	22058800	M20 140HV RAW DIN125 ISO7090 Flat Washer with chamfer	
027	22052009	M20 6 FZB DIN985 Prevailing Torque Hex Nut with polyamid inserted	
028	25020400	Flanged bearing 208-ø40	
029	22002311	Hex Cap Screw M12x140 8,8 FZB DIN931	
030	22058422	Skive plan Ø12 FZB 13x24x2,5	
031	22052005	M12 6 FZB DIN985 Prevailing Torque Hex Nut with polyamid inserted	
032	Y7200086	Shaft for supporting wheels	
033	Y7200218	Ring for wheel shaft	
034	23005138	Retaining rings for shafts	
035	24000029	Hjul kpl.6.00-9 SL	

036	22058424	Skive plan Ø14 FZB 15x28x2,5	
037	22056451	M14 SS FZB DIN128A Spring Lock Washer curved	
038	22052006	M14 6 FZB DIN985 Prevailing Torque Hex Nut with polyamid inserted	
039	Y7100057	Welded skid pad assamblay	
040	22008603	M14x40 8.8 FZB DIN933 Hex Cap Screw	
041	Y7200203	Support plate	
042	22008206	M6x25 8.8 FZB DIN933/ ISO4017 Hex Cap Screw	
043	22058403	1/4" 16x6,5x1 8.8 FZB DIN1440 Flat Washer for clevis pin	
044	Y7200326	Cover plate	
045	22008005	Set screw M4x30 8.8 fzb	
046	22058404	M4 10x4,3x0,8 8.8 FZB DIN1440 Flat Washer for clevis pin	
047	Y7100058	Locking assembly	
048	23006027	Spring Cotter for Bolt	
049	Y7200010	Wheel comp. 3.00-4 4PR	
050	22008615	Bolt M14x100.DIN933, gr.8.8, black	
051	22058704	M16 140HV FZB DIN 125 ISO7090 Flat Washer with chamfer	
052	22056501	M16 SS FZB DIN127B Helical Spring Lock Washer	
053	22052007	M16 6 FZB DIN985 Prevailing Torque Hex Nut with polyamid inserted	
054	21097707	Hydr. cyl. dobb. ø30/50x350	
055	Y7200072	Axe for cylinder	
056	22002099	Mask. bolt M6x20 8.8 fzb	
057	22056100	M6 SS HDG DIN128A Spring Lock Washer curved	
058	22058400	M6 140HV FZB DIN125A/ ISO7089 Flat washer without chamfer	
059	Y7200022	Middle locking mechanism	
060	Y7200071	Axe for cylinder	
061	Y7200023	Large locking mechanism	
062	Y7100053	Sliding back slide	
063	Y7200024	Small locking mechanism	
064	21097709	Hydr. cyl. dobb ø60x35 slag lgd 1000mm	
065	Y7200070	Shaft to middle locking mechanism	
066	Y7200069	Shaft for cylinder	
067	Y7200202	Support plate	
068	22058429	Skive skærm Ø12 FZB 13x37x3	
069	22014613	Countersunk Screw M12x110 FZB 8.8	
070	Y7100055	Right side cover	
071	22008505	M12x35 8.8 FZB DIN933 Hex Cap Screw	
072	Y7200079	Machine slange	
073	22008506	M12x40 8.8 FZB DIN933 Hex Cap Screw	
074	Y7200225	Lap plate	
075	Y7100224	Left cover	
076	22077131	Wing Nut cold formed M10 FZB	
077	Y7200081	Front door left side RBU	
078	Y7200082	Front door right side RBU	
079	23004400	ø6x30 420-560HV RAW DIN1481/ ISO8752 Spring Pin (Rolled pin)	
080	Y7100227	Rubber door	

081	22008207	M6x30 8.8 FZB DIN933/ ISO4017 Hex Cap Screw	
082	22052002	M6 6 FZB DIN985 Prevailing Torque Hex Nut with polyamid inserted	
083	Y7100199	Front extension plate for HU	
084	22014605	Hexagon Socket Countersunk Head Screw M12x45	
085	Y7100178	Locking plate	
086	22014610	Skrue M12x80 8.8 UH FZB indiv. 6-kant	
087	Y7100179	Inside locking plate	
088	Y7100061	Hitch for HU	
089	22002948	Stålbolt 8/8 FZB M36x180	
090	Y7100219	Washer for hitch	
091	22052014	Hex nut M36, 8.8 DIN 985	
092	Y7100225	Support plate for rubber	
093	Y7100226	Bottom rubber	
094	22058401	M6 140HV FZB DIN9021A/ ISO7093 Flat Washer without chamfer	
095	22008205	M6x20 8.8 FZB DIN933/ ISO4017 Hex Cap Screw	
096	Y7100196	Support plate for PVG	
097	Y7100064	Valve cylinder support	
098	21076602	PVG 32 Valve 180bar	
099	21075140	Valve block, Sterling (2x53-1)	
100	21075130	Load control valve, Sterling	
101	21075164	Double shock valve 1/2	
102	21075104	Dobb. chock valve f."OMP extern"	
103	21062103	Seal ring 3/4"	
104	21062102	Seal Ring 1/2"	
105	21062101	Seal Ring 3/8"	
106	21062100	Seal ring 1/4"	
107	21000829	Hydr. hexagon nipple 3/4"x3/4"	
108	21000890	Hydraulic hexagon nipple 1/2"x3/4"	
109	21000803	Hydr. hexagon nipple 1/2"x3/8"	
110	21000804	Hydr. hexagon nipple 3/8"x3/8"	
111	21000832	Hydr. hexagon nipple 1/4"x3/8"	
112	21040095	Hydraulic hose 3/4"x3000	
113	21040098	Hydraulic hose 3/8"x900	
114	21040099	Hydraulic hose 3/8"x350	
115	21040100	Hydraulic hose 3/8"x750	
116	21040101	Hydraulic hose 3/8"x600	
117	21040102	Hydraulic hose 3/8"x2000	
118	21040103	Hydraulic hose 3/8"x400	
119	21040104	Hydraulic hose 3/8"x500	
120	21040105	Hydraulic hose 3/8"x2000- banjo+ banjo bolt	
121	21040097	Hydraulic hose 3/4"x2200	
122	21040096	Hydraulic hose 3/4"x2150	
123	21000417	3/4 female Tema With pressure relief	
124	21040033	Half part for ø18 double clamp	
125	22008304	M8x25 8.8 FZB DIN933/ ISO4017 Hex Cap Screw	

126	22002109	M6x80 8.8 FZB DIN931/ ISO4014 Hex Cap Screw	
127	22008404	M10x30 8.8 FZB DIN933 Hex Cap Screw	
128	22058411	M10 140HV FZB DIN 125 ISO7090 Flat Washer with chamfer	
129	22008212	Sætskrue M6x60 8.8 fzb	
130	Y7100065	PVG welded cover	
131	22027055	Chain shackle FZB	
132	23006302	Tension spring $\varnothing 4 \times \varnothing 35 \times \varnothing 100$	
133	22027048	Eyeboly M12x120 FZB	
134	22050503	M12 8.8 FZB DIN 934-8/ ISO4032 Hex Nut Nominal Height	
135	21040029	Complete double clamp $\varnothing 26$	
136	22008305	M8x30 8.8 FZB DIN933/ ISO4017 Hex Cap Screw	



Y7.100.052 - Complete conveyor assembly

Y7100052 Complete conveyor assembly

BOM version: BOM05104988

X = See separate drawing

Pos.	Item number	Description	
01	Y7100051	Welded frame for conveyor belt	
02	Y7100136	Left profile for rollers	
03	y7100137	Right profile for rollers	
04	22058700	M10 140HV FZB DIN9021A/ ISO7093 Flat Washer without chamfer	
05	22056300	M10 SS FZB DIN128A Spring Lock Washer curved	
06	22008402	M10x20 8.8 FZB DIN933 Hex Cap Screw	
07	27010151	Roller for conveyor belt	
08	y7200128	Lap plate for roller	
09	22008403	M10x25 8.8 FZB DIN933 Hex Cap Screw	
10	25010300	Ståleje UCP 206	
11	22014665	Screw M14x60 8.8 FZB	
12	22058502	M14 140HV RAW DIN125 ISO7090 Flat Washer with chamfer	
13	22052006	M14 6 FZB DIN985 Prevailing Torque Hex Nut with polyamid inserted	
14	Y7200061	Roller with motor shaft	
15	21070432	Oliemotor OMTW 315	
16	22000700	M18x60 8.8 RAW DIN931/ ISO4014 Hex Cap Screw	
17	22050801	M18 8.8 FZB DIN 934-8/ ISO4032 Hex Nut Nominal Height	
18	22100018	M18 140HV HDG DIN125A/ ISO7089 Flat Washer without chamfer	
19	Y7200062	Connection for roller	
20	Y7200376	Motor fixing plate	
21	22018030	M8x10 45RAW DIN 916 / ISO 4029 Socket Set Screw with cup point	
22	22014601	M12x30 10.9 DIN 7991/ ISO10642 Hexagon Socket	
23	Y7200060	Roller for conveyor band	
24	Y7200350	Distance plate for bearings	
25	Y7200348	Distance plate for bearings	
26	22077559	M12 A4-140HV DIN125A/ ISO7089 Flat Washer without chamfer	
27	Y7200059	Adjustmant mechanism	
28	22058422	Skive plan Ø12 FZB 13x24x2,5	
29	22052005	M12 6 FZB DIN985 Prevailing Torque Hex Nut with polyamid inserted	
30	22008509	Set screw M12x55 8.8 fzb	
31	22008505	M12x35 8.8 FZB DIN933 Hex Cap Screw	
32	27010115	Belt conveyor	
33	Y7200063	Cleaning mechanism for belt	
34	22008506	M12x40 8.8 FZB DIN933 Hex Cap Screw	
35	22050500	M12 8.8 FZB DIN934/ ISO4032 Hex Nut Nominal Height	

36	22012508	M10x90 12.9 FZB DIN912/ ISO4762 Socket Head Cap Screw	
37	22058411	M10 140HV FZB DIN 125 ISO7090 Flat Washer with chamfer	
38	22052004	M10 6 FZB DIN985 Prevailing Torque Hex Nut with polyamid inserted	
39	Y7200126	Roller for centering conveyor belt	
40	Y7200058	Roller for centering support	
41	22056401	M12 SS FZB DIN127B Helical Spring Lock Washer	
42	22002321	M12x220 8.8 FZB DIN931 Hex Cap Screw	