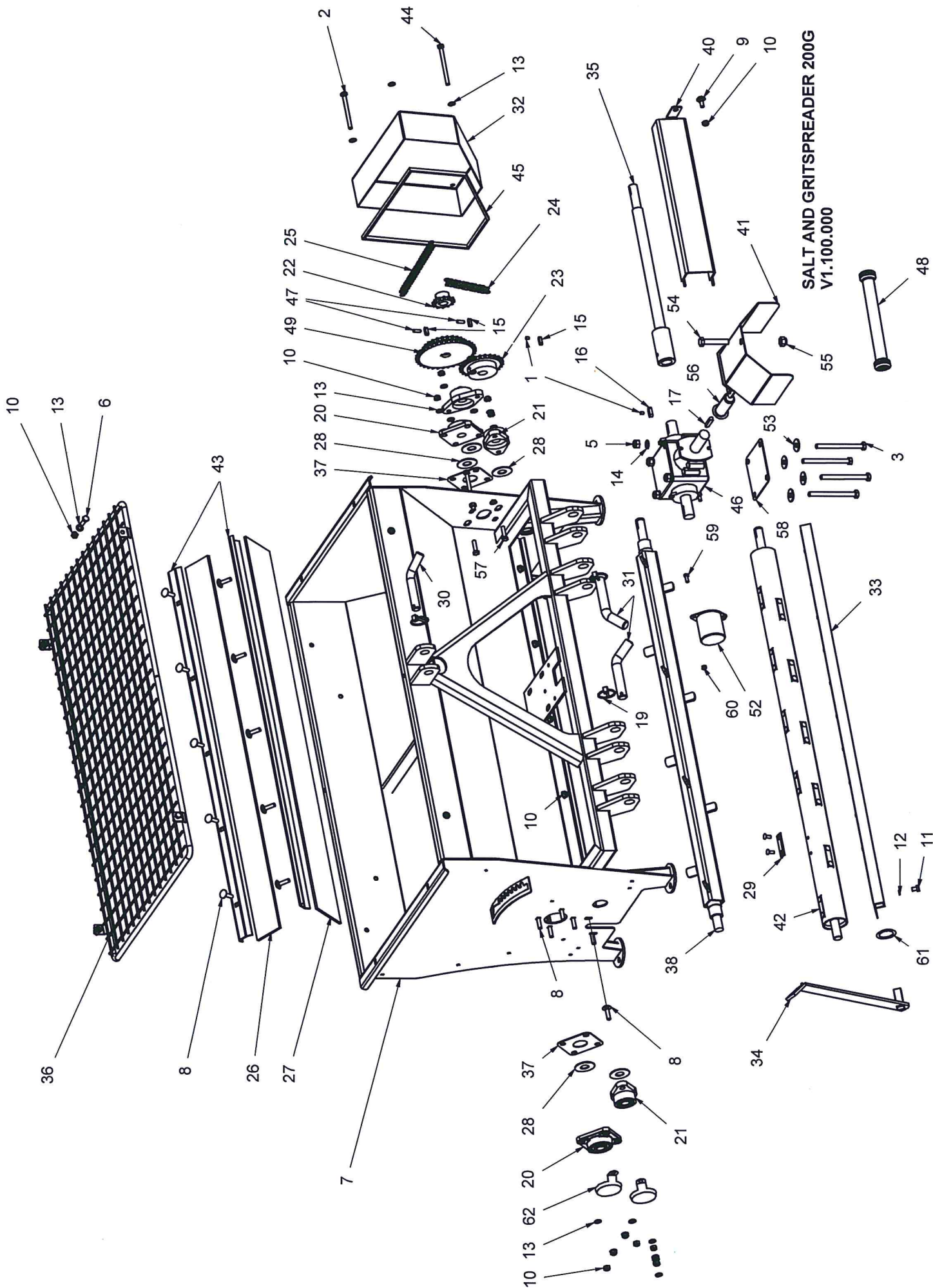


# *Spare Parts List*

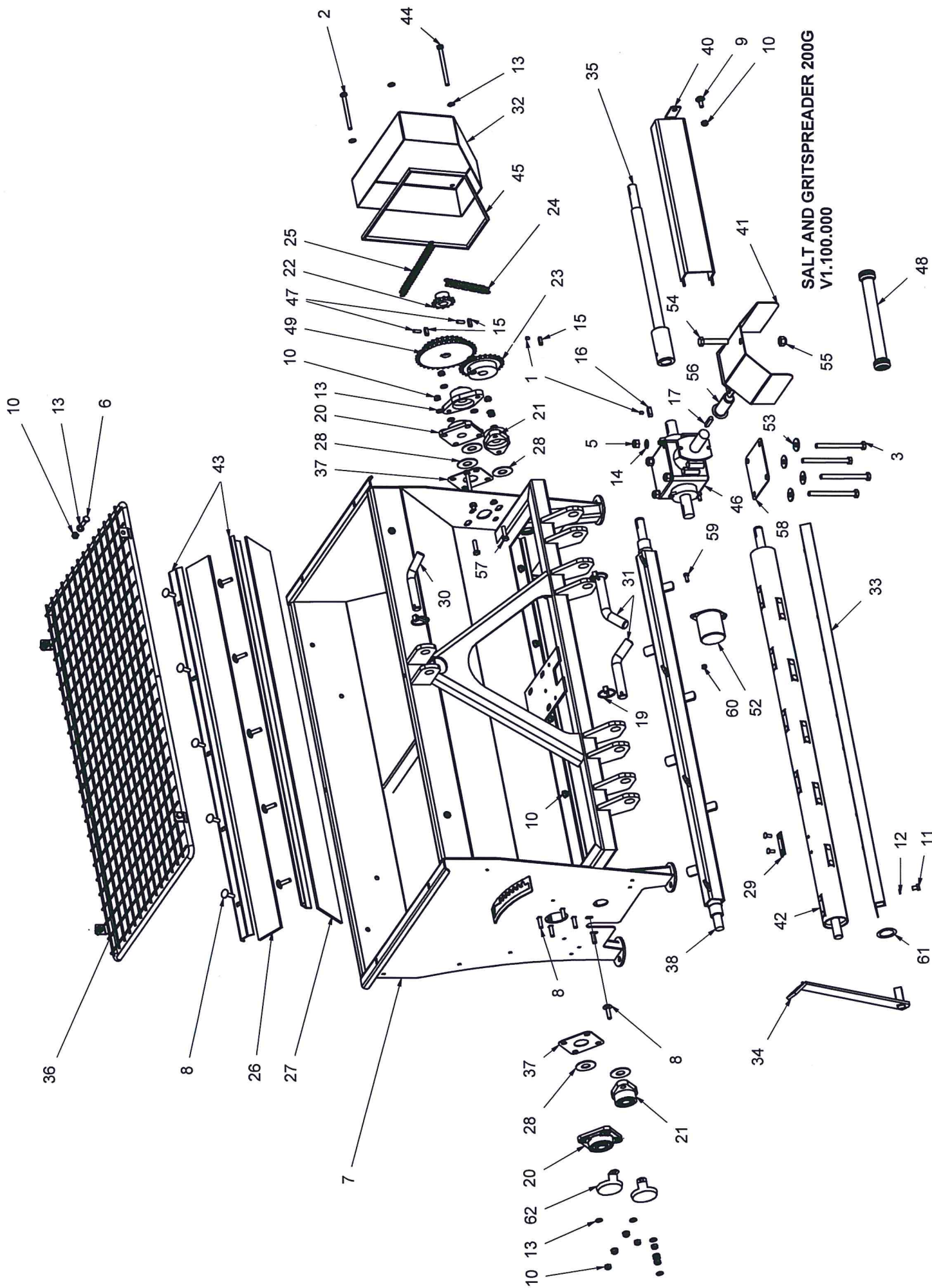
Type no.: Type no.: Ballart nr.: _____	Fabrikationsnr.: Prod. no.: Prod. nr.: _____
Årgang: Year: Jahr: _____	Max. arb. tryk:Max. pressure: Max. Druck: _____
Egenvægt: Net weight: Eigengewicht: _____	Spænding: Voltage: Spannung: _____
Max. last: Max. load: Max. ladung: _____	



SALT AND GRITSREADER 200G  
V1.100.000

# 200 G

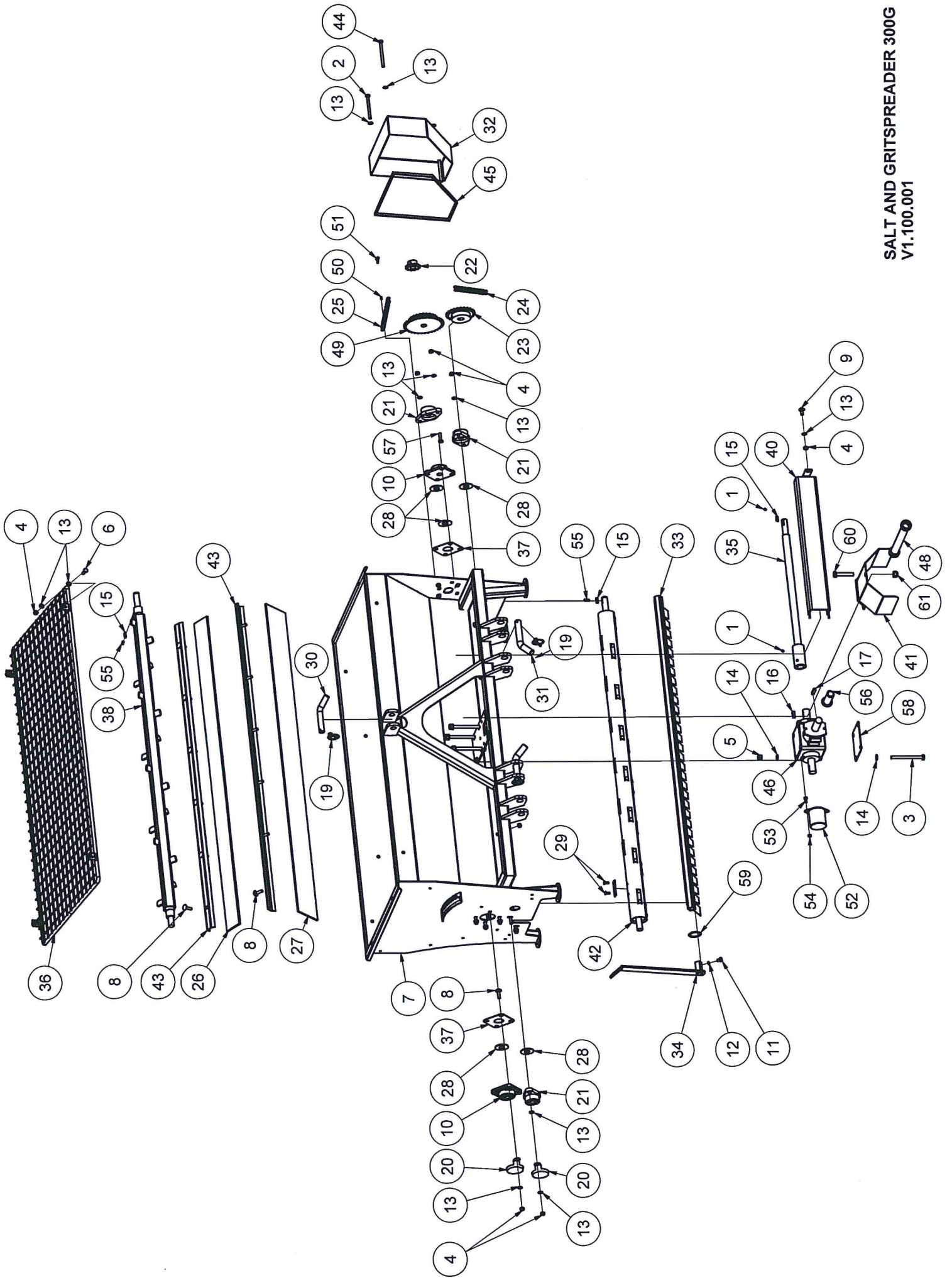
Pos	Res.no.	Med gearkasse	With gearbox	Mit Getriebebehäuse	Note
1	22018020	Stopskrue M6x8 45H sort m/krat	Headless screw M6x8 45H	Anschlagsschraube	
2	22077015	Rustfri bolt M8x90	Stainless bolt M8x90 DIN 931 A	Rostfrei Bolz M8x90	
3	22002242	Mask. bolt M10x120 8.8 fzb	Bolt M10x120 8.8 fzb	Bolzen M10x120	
5	22052004	Låsemøtrik M10 FZB	Lock nut M10 FZB	Gegenmutter M10	
6	22077005	Rustfri sætskrue M8x25	Stainless setscrew M8x25	Rostfrei Satzschraube M8x25	
7	V1110137	Kasse, svejst type 200	Hopper welded type 200	Salz- und kiesstreuer 200	
8	22077043	Rustfri bræddebolt M8x30	Stainless carriage bolt M8x30	Rostfrei Schwellenschraube M8x	
9	22077046	Rustfri bræddebolt M8x20	Stainless carriage bolt M8x20	Rostfrei Schwellenschraube M8x	
10	22077103	Rustfri låsemøtrik M8	Stainless lock nut M8 DIN 985	Rostfrei Gegenmutter M8	
11	22077007	Rustfri sætskrue M6x12	Stainless setscrew M6x12	Rostfrei Satzschraube M6x12	
12	22077201	Rustfri fjederskive M6	Stainless spring washer M6	Rostfrei Federscheibe M6	
13	22077532	Rustfri skive ø16/ø8,4x1.5	Stainless washer ø16/ø8,4x1.5	Rostfrei Scheibe	
14	22058410	Facetskive M10 FZB 20/10.5X2	Facet washer M10 fzb Ø20XØ10,5	Facettenscheibe M10	
15	23000401	Feder 6x6x20 form A	Key 6x6x20 form A	Feder 6x6x20 form A	
16	23000502	Feder 8x7x25 form A	Key 8x7x25 form A	Feder 8x7x25 form A	
17	23000510	Feder 8x7x40 form A	Key 8x7x40 form A	Feder 8x7x40 form A	
19	23006000	Traktorsplit Ø4,5X33/35 FZB	Split pin Ø4,5X33/35 FZB	Splint ø4,5x40	
20	25020000	Flangeleje UCF 204 Ø20	Flanged bearing 204	Flanschenlager 204	
21	25020001	Flangeleje UCFL 204-Ø20	Flanged bearing 204-Ø20	Flanschenlager 204-Ø20	
22	26020013	Chainwheel 1/2"-212/Ø20	Chain wheel 1/2"-212/Ø20H7	Kettenrad 1/2"	
23	26020028	Chainwell 1/2"-225/Ø20	Chain wheel 1/2"-225/Ø20	Kettenrad 1/2"	
24	V1114000	Simp. kæde 1/2"x5/16"-42 led	Chain 1/2"x5/16"-42 led	Kette	
25	V1115000	Simp. kæde 1/2"x5/16"-52 led	Chain	Kette	
26	8000015	Gummibund type 100/200	Rubber bottom 6x75x1012	Gummiboden 6x75x1012	
27	8000016	Gummibund 5x120x1012 TYPE 100/	Rubber bottom 5x120x1012	Gummiboden 5x120x1012	
28	V1005100	Pakning f. UCFL 204	Rubber Packing Ø48/ø20x2 - NBR	Dichtung	
29	V1100024	Sæt, skrue-knast - Sandspreder	Set, screw-cam - 100/200	Satz, Nocken-Schrauben - 100/2	
30	V1015000	Nagle for toppunkt	Spike f. summit	Nagel f. Gipfel	
31	V1016000	Nagle for liftarm	Spike f. liftarm	Nagel f.	
32	V1101000	Skærm v/kædedrev	Guard	Schirm	
33	V1102000	99 Fjederbund monteret 200	Spring bottom	Federboden	->011295
33	V1102002	Fjederbund monteret 100/200	Spring bottom	Federboden	011295->
34	V1102041	Indstillingshåndtag, sv.	Adjusting lever	Einstellhandgriff	->011295
34	V1102043	Adjusting handle	Adjusting handle	Einstellungs handgriff	011295->
35	V1103000	Drivaksel for 200G	Drive shaft for 200G	Triebwelle 200G	
36	V1104002	Rist for 200 K, svejst	Grate f. 200 K, welded	Gitter für 200 K	
37	V1105000	Bagplade v/leje UCF 204	Back plate a/bearning UCF 204	Platte für Lager UCF 204	
38	V1106000	Omrører til type 100/200	Stir Type 100/200	Umröhren, Montiert	
40	V1107000	Skærm f. drivaksel	Guard	Schirm	
41	V1108000	Skærm v/gearkasse	Guard	Schirm	
42	V1109000	Udlæggevalse f. 100/200, mont	Roll f. 100/200, mounted.	Auslegerwalze	
43	V1112000	Liste v/gummibund TYPE 100/200	Retainer TYPE 100/200	Kehlung	
44	22077341	Rustfri bolt M8x100	Stainless bolt M8x100	Rustfrei Bolz M8x100	
45	8000005	Gummitætningsliste 5x8	Rubber sealing profile 5x8	Gummidichtungsliste 5x8	
46	26090600	T-gearks. R 035 3,25:1	T-gearbox 3,30:1	T-Getriebe 3,30:1	1000 omdr./min.
46	26090100	T-gearkasse C=1 R=1,92 3*ø25h7	T-gearbox C=1 R=1,92 3xø25h7	Getriebe 1,9:1	540 omdr./min.
47	22018024	Stopskrue M6x20 45H sort m/kra	Headless screw M6x20 45H blac	Anschlagsschraube M6x20	
48	26060900	P.T.O. W2100-1 3/8"/Ø25 m/bolt	Power take-off shaft W2100-1 3	Kraftüberførings welle	



**SALT AND GRITSPREADER 200G**  
**V1.100.000**

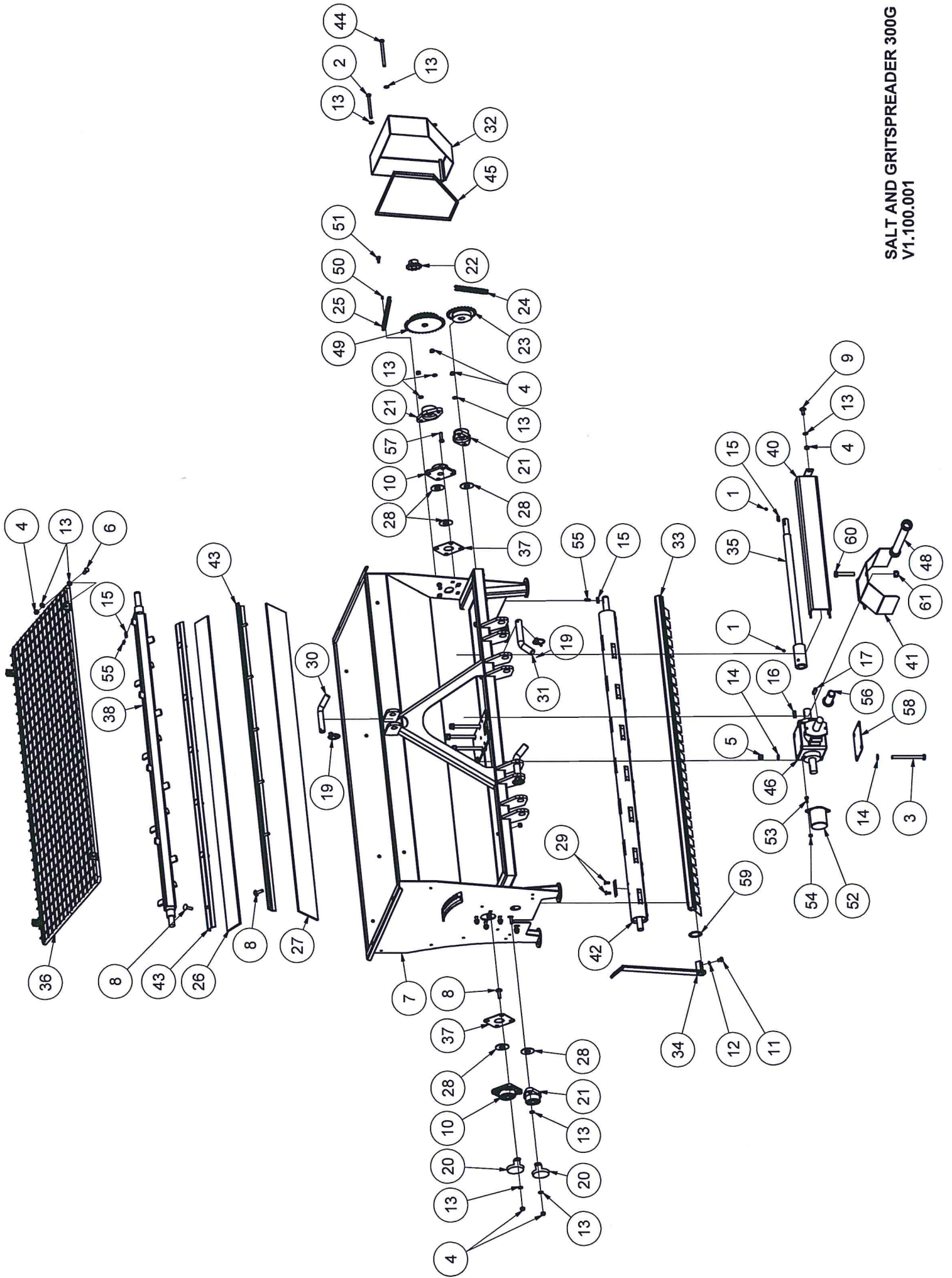
## 200 G

Pos	Res.no.	Med gearkasse	With gearbox	Mit Getriebebehäuse	Note
49	26020027	Chainwell 1/2"-25/35tdr.-ø20H7	Chain wheel 1/2" -5/16'' Z=25/	Kettenrad 1/2"	
50	26030034	Fork. samleled simp. 1/2"x5/16	Joint link cranked 1/2"x5/16"	Sammelglied verkröpft 1/2"	
51	26030021	Udv. samleled simp.1/2"	Joint link 1/2"	Zwischenglied	
52	R7030000	Shaft cover	Shaft cover	Deckel	
53	22058700	Skive M10 FZB 30/10.5X2.5	Washer M10 Ø30/ Ø10,5X2,5 FZB	Scheibe M10	
54	22002304	Mask. bolt M12x65 8.8 fzb	Bolt M12x65 8.8 fzb	Maschine Bolzen M12x65	
55	22052005	Låsemøtrik M12 FZB	Lock nut M12 fzb	Gegenmutter M12	
56	8010100	Kapsto akselbeskyttelse ø25	Shaft Cover ø25	Wellenschutz ø25	
57	22008305	Sætskrue M8x30 8.8 fzb	Set screw M8x30 fzb 8.8	Setzschraube M8x30	
58	V1108001	Afstandsplade for gearkasse	Spacer f. gearbox	Abstand platte f.getriebe	
59	22008204	Sætskrue M6x16 8.8 fzb	Set screw M6x16 fzb 8.8	Satzschraube M6x16	
60	22052002	Låsemøtrik M6 FZB	Lock nut M6 FZB	Gegenmutter M6	
61	V1102110	Washer for spring bottom	Washer for spring bottom AISI	Schreibe für Federboden	
62	s7400020	Lejedaksel f. 204	Bearing cap	Lagerdeckel	
63	20010475	Kabelgennemføring TET 10-14	Cable leading TET 10-14	Kabelschutzbekleidung	



## 300 G

Pos	Res.no.	Med gearkasse	With gearbox	Mit Getriebebehuse	Note
1	22018020	Stopskrue M6x8 45H sort m/krat	Headless screw M6x8 45H	Anschlagsschraube	
2	22077015	Rustfri bolt M8x90	Stainless bolt M8x90 DIN 931 A	Rostfrei Bolz M8x90	
3	22002242	Mask. bolt M10x120 8.8 fzb	Bolt M10x120 8.8 fzb	Bolzen M10x120	
4	22077103	Rustfri lasemetrik M8	Stainless lock nut M8 DIN 985	Rostfrei Gegenmutter M8	
5	22052004	Lasemetrik M10 FZB	Lock nut M10 FZB	Gegenmutter M10	
6	22077005	Rustfri satskrue M8x25	Stainless setscrew M8x25	Rostfrei Satzschraube M8x25	
7	V1110002	Kasse, svejst type 300	Hopper type 300, welded	Salz- und kiesstreuer 300	
8	22077043	Rustfri braddebolt M8x30	Stainless carriage bolt M8x30	Rostfrei Schwellenschraube M8x	
9	22077046	Rustfri braddebolt M8x20	Stainless carriage bolt M8x20	Rostfrei Schwellenschraube M8x	
10	25020000	Flangeleje UCF 204 20	Flanged bearing 204	Flanschenlager 204	
11	22077007	Rustfri satskrue M6x12	Stainless setscrew M6x12	Rostfrei Satzschraube M6x12	
12	22077201	Rustfri fjederskive M6	Stainless spring washer M6	Rostfrei Federscheibe M6	
13	22077532	Rustfri skive 16/8,4x1.5	Stainless washer 16/8,4x1.5	Rostfrei Scheibe	
14	22058410	Facetskive M10 FZB 20/10.5X2	Facet washer M10 fzb 20X10,5	Facettenscheibe M10	
15	23000401	Feder 6x6x20 form A	Key 6x6x20 form A	Feder 6x6x20 form A	
16	23000502	Feder 8x7x25 form A	Key 8x7x25 form A	Feder 8x7x25 form A	
17	23000510	Feder 8x7x40 form A	Key 8x7x40 form A	Feder 8x7x40 form A	
19	23006000	Traktorsplit 4,5X33/35 FZB	Split pin 4,5X33/35 FZB	Splint 4,5x40	
20	s7400020	Lejedaksel f. 204	Bearing cap	Lagerdeckel	
21	25020001	Flangeleje UCFL 204-20	Flanged bearing 204-20	Flanschenlager 204-20	
22	26020013	Chainwheel 1/2"-Z12/20	Chain wheel 1/2"-Z12/20H7	Kettenrad 1/2"	
23	26020028	Chainwell 1/2"-Z25/20	Chain wheel 1/2"-Z25/20	Kettenrad 1/2"	
24	V1114000	Simp. kade 1/2"x5/16"-42 led	Chain 1/2"x5/16"-42 led	Kette	
25	V1115000	Simp. kade 1/2"x5/16"-52 led	Chain	Kette	
26	8000031	Gummibund 6x75x1262 Type 120/3	Rubber bottom 6x75x1262	Gummiboden 6x75x1262	
27	8000032	Gummibund 5x120x1262 Type 120/	Rubber bottom 5x120x1262	Gummiboden 5x120x1262	
28	V1005100	Pakning f. UCFL 204	Rubber Packing 48/20x2 - NBR	Dichtung	
29	V1100034	Sat, skrue-knast - Sandspreder	Set, screw-cam - 120/300	Satz, Nocken-Schrauben - 120/3	
30	V1015000	Nagle for toppunkt	Spike f. summit	Nagel f. Gipfel	
31	V1016000	Nagle for liftarm	Spike f. liftarm	Nagel f.	
32	V1101000	Skarm v/kadedrev	Guard	Schirm	
33	V1102001	Fjederbund monteret 120/300	Spring bottom	Federboden	
34	V1102041	Indstillingshandtag, sv.	Adjusting lever	Einstellhandgriff	->011295
34	V1102043	Adjusting handle	Adjusting handle	Einstellungs handgriff	011295->
35	V1103001	Drivaksel TYPE 300	Drive shaft for 300G	Triebwelle 300G	
36	V1104003	Rist til 300 K, svejst	Grate for 300 K, welded	Gitter fur 200 K	
37	V1105000	Bagplade v/leje UCF 204	Back plate a/bearning UCF 204	Platte fur Lager UCF 204	
38	V1106001	Omrorer til type 120/300	Stirrer type 120/300	Umruhren	
40	V1107001	Guard for 300	Guard	Schirm	
41	V1108000	Skarm v/gearkasse	Guard	Schirm	
42	V1109001	Udlaggervalse f. 120/300, mont	Roll for 120/300, mounted	Auslegerwalze	
43	V1112001	Liste v/gummibund Type 120/300	Retainer Type 120/300	Kehlung	
44	22077341	Rustfri bolt M8x100	Stainless bolt M8x100	Rustfrei Bolz M8x100	
45	8000005	Gummitatningsliste 5x8	Rubber sealing profile 5x8	Gummidichtungsliste 5x8	
46	26090600	T-gearks. R 035 3,25:1	T-gearbox 3,30:1	T-Getriebe 3,30:1	1000 omdr./min.
46	26090100	T-gearkasse C=1 R=1,92 3*25h7	T-gearbox C=1 R=1,92 3x25h7	Getriebe 1,9:1	540 omdr./min.
47	20010475	Kabelgennemforing TET 10-14	Cable leading TET 10-14	Kabelschutzbekleidung	
48	26060900	P.T.O. W2100-1 3/8"/25 m/bolt	Power take-off shaft W2100-1 3	Kraftuberfuhrungs welle	

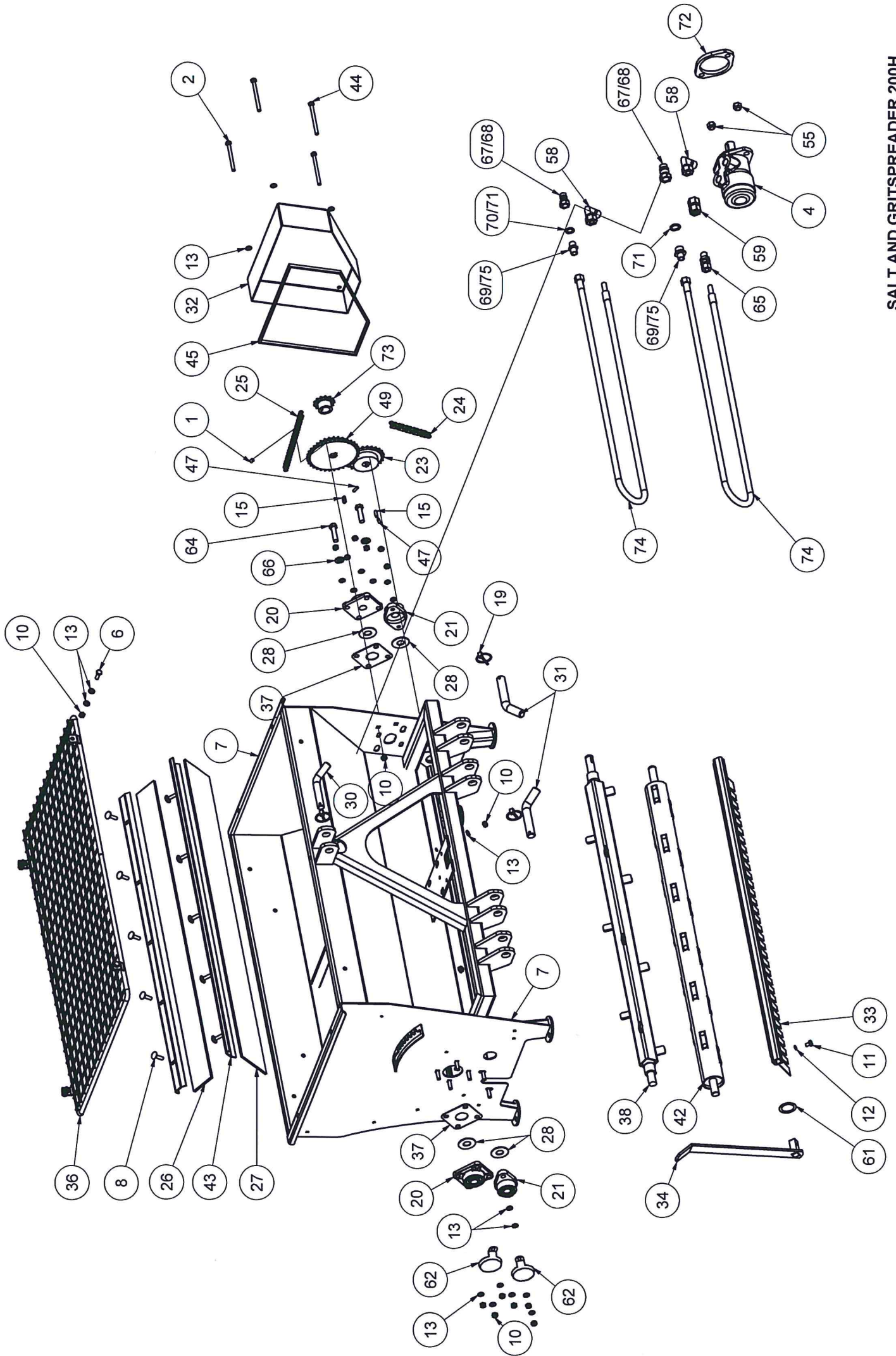


SALT AND GRITSPREADER 300G  
V1.100.001



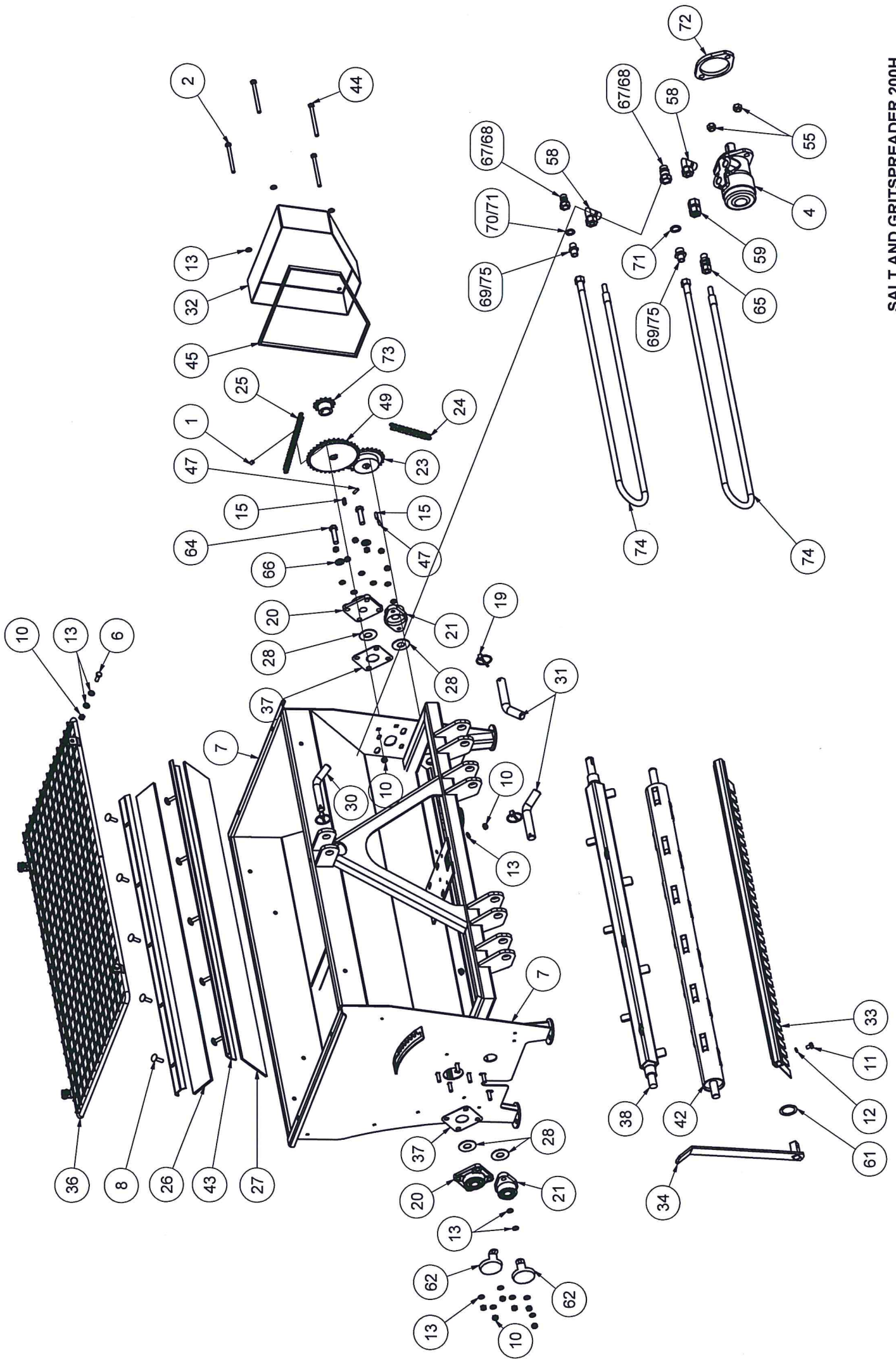
# 300 G

Pos	Res.no.	Med gearkasse	With gearbox	Mit Getriebebehäuse	Note
49	26020027	Chainwell 1/2"-25/35tdr.-ø20H7	Chain wheel 1/2" -5/16" Z=25/	Kettenrad 1/2"	
50	26030034	Fork. samleled simp. 1/2"x5/16	Joint link cranked 1/2"x5/16"	Sammelglied verkröpft 1/2"	
51	26030021	Udv. samleled simp.1/2"	Joint link 1/2"	Zwischenglied	
52	R7030000	Shaft cover	Shaft cover	Deckel	
53	22008204	Sætskrue M6x16 8.8 fzb	Set screw M6x16 fzb 8.8	Satzschraube M6x16	
54	22052002	Låsemøtrik M6 FZB	Lock nut M6 FZB	Gegenmutter M6	
55	22018024	Stopskrue M6x20 45H sort m/kra	Headless screw M6x20 45H blac	Anschlagsschraube M6x20	
56	8010100	Kapsto akselbeskyttelse ø25	Shaft Cover ø25	Wellenschutz ø25	
57	22008305	Sætskrue M8x30 8.8 fzb	Set screw M8x30 fzb 8.8	Satzschraube M8x30	
58	V1108001	Afstandsplade for gearkasse	Spacer f. gearbox	Abstand platte f.getriebe	
59	V1102110	Washer for spring bottom	Washer for spring bottom AISI	Schreibe für Federboden	
60	22002304	Mask. bolt M12x65 8.8 fzb	Bolt M12x65 8.8 fzb	Maschine Bolzen M12x65	
61	22052005	Låsemøtrik M12 FZB	Lock nut M12 fzb	Gegenmutter M12	



# 200 H

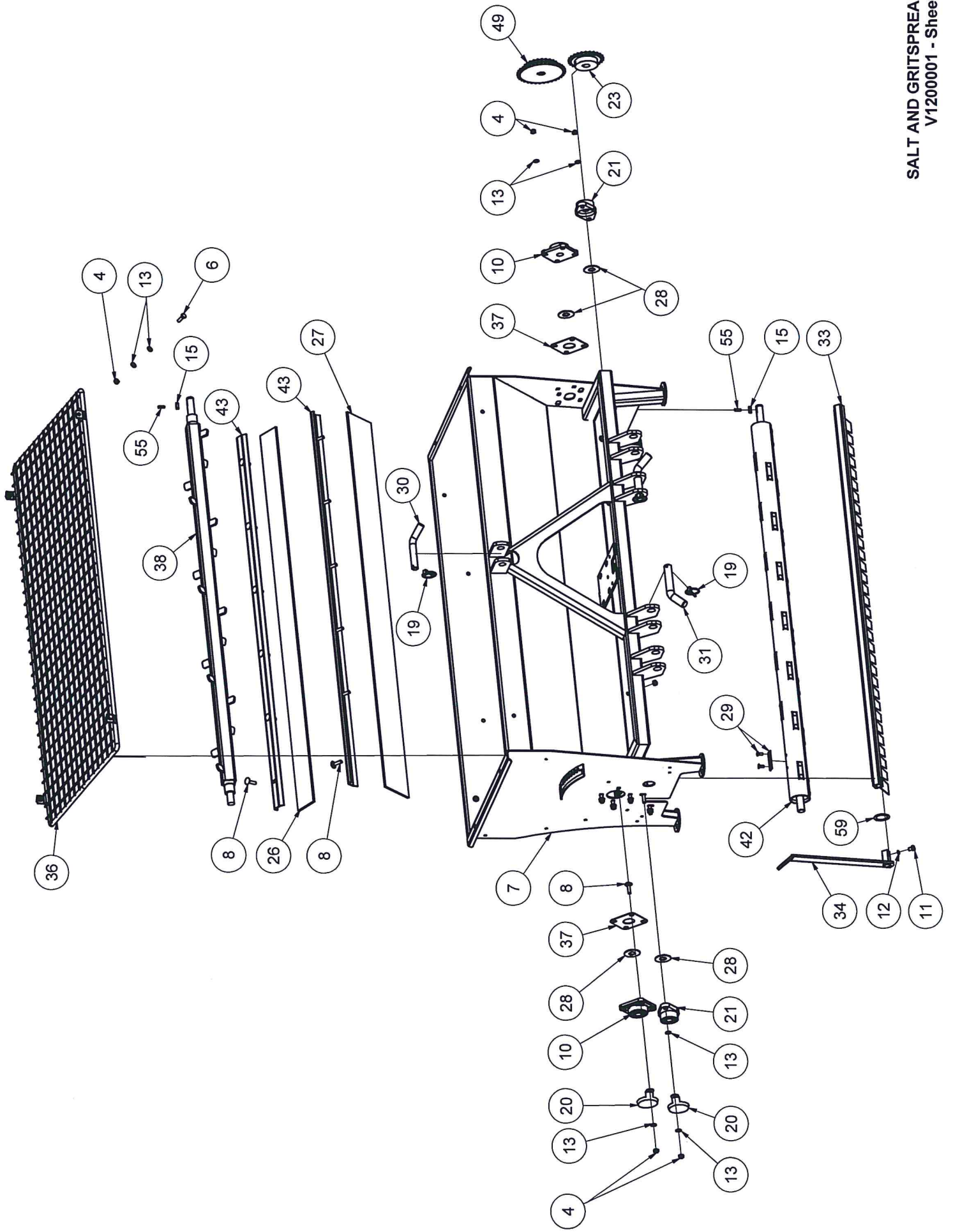
Pos	Res.no.	Med oliemotor	with oilmotor	Mit ölmotor	Note
1	22018020	Stopskrue M6x8 45H sort m/krat	Headless screw M6x8 45H	Anschlagsschraube	
2	22077015	Rustfri bolt M8x90	Stainless bolt M8x90 DIN 931 A	Rostfrei Bolz M8x90	
4	21072003	Oliemotor OMP 100 HPS C25	Oil engine OMP 100 HPS C25	Ölmotor Bg 100N C25	168.180.001-
4	21070306	Pakningssæt Sam BG	Packing set Sam BG	Dichtsatz Sam BG	168.180.001-
4	21070300	Oliemotor Ar 100N C25	Oil engine	Ölmotor	-168.270.015
4	21070302	Pakningssæt Sam AR	Gasket set Sam AR	Dichtsatz Sam AR	-168.270.015
4	21072003	Oliemotor OMP 100 HPS C25	Oil engine OMP 100 HPS C25	Ölmotor Bg 100N C25	184.180.001-
4	21070306	Pakningssæt Sam BG	Packing set Sam BG	Dichtsatz Sam BG	184.180.001-
4	21070302	Pakningssæt Sam AR	Gasket set Sam AR	Dichtsatz Sam AR	-184.270.018
4	21070300	Oliemotor Ar 100N C25	Oil engine	Ölmotor	-184.270.018
6	22077005	Rustfri sætskrue M8x25	Stainless setscrew M8x25	Rostfrei Satzschraube M8x25	
7	V1110137	Kasse, svejst type 200	Hopper welded type 200	Salz- und kiesstreuer 200	
8	22077043	Rustfri brædebolt M8x30	Stainless carriage bolt M8x30	Rostfrei Schwellenschraube M8x	
10	22077103	Rustfri låsemøtrik M8	Stainless lock nut M8 DIN 985	Rostfrei Gegenmutter M8	
11	22077007	Rustfri sætskrue M6x12	Stainless setscrew M6x12	Rostfrei Satzschraube M6x12	
12	22077201	Rustfri fjederskive M6	Stainless spring washer M6	Rostfrei Federscheibe M6	
13	22077532	Rustfri skive ø16/ø8,4x1.5	Stainless washer ø16/ø8,4x1.5	Rostfrei Scheibe	
15	23000401	Feder 6x6x20 form A	Key 6x6x20 form A	Feder 6x6x20 form A	
19	23006000	Traktorsplit Ø4,5X33/35 FZB	Split pin Ø4,5X33/35 FZB	Splint ø4,5x40	
20	25020000	Flangeleje UCF 204 Ø20	Flanged bearing 204	Flanschenlager 204	
21	25020001	Flangeleje UCFL 204-Ø20	Flanged bearing 204-Ø20	Flanschenlager 204-Ø20	
23	26020028	Chainwell 1/2"-225/Ø20	Chain wheel 1/2"-225/Ø20	Kettenrad 1/2"	
24	V1114000	Simp. kæde 1/2"x5/16"-42 led	Chain 1/2"x5/16"-42 led	Kette	
25	V1115000	Simp. kæde 1/2"x5/16"-52 led	Chain	Kette	
26	8000015	Gummibund type 100/200	Rubber bottom 6x75x1012	Gummiboden 6x75x1012	
27	8000016	Gummibund 5x120x1012 TYPE 100/	Rubber bottom 5x120x1012	Gummiboden 5x120x1012	
28	V1005100	Pakning f. UCFL 204	Rubber Packing Ø48/Ø20x2 - NBR	Dichtung	
30	V1015000	Nagle for toppunkt	Spike f. summit	Nagel f. Gipfel	
31	V1016000	Nagle for liftarm	Spike f. liftarm	Nagel f.	
32	V1101000	Skærm v/kædedrev	Guard	Schirm	
33	V1102000	99 Fjederbund monteret 200	Spring bottom	Federboden	->011295
33	V1102002	Fjederbund monteret 100/200	Spring bottom	Federboden	011295->
34	V1102041	Indstillingshåndtag, sv.	Adjusting lever	Einstellhandgriff	->011295
34	V1102043	Adjusting handle	Adjusting handle	Einstellungs handgriff	011295->
36	V1104002	Rist for 200 K, svejst	Grate f. 200 K, welded	Gitter für 200 K	
37	V1105000	Bagplade v/leje UCF 204	Back plate a/bearning UCF 204	Platte für Lager UCF 204	
38	V1106000	Omrører til type 100/200	Stir Type 100/200	Umröhren, Montiert	
42	V1109000	Udlæggervalse f. 100/200, mont	Roll f. 100/200, mounted.	Auslegerwalze	
43	V1112000	Liste v/gummibund TYPE 100/200	Retainer TYPE 100/200	Kehlung	
44	22077341	Rustfri bolt M8x100	Stainless bolt M8x100	Rustfrei Bolz M8x100	
45	8000005	Gummitætningsliste 5x8	Rubber sealing profile 5x8	Gummidichtungsliste 5x8	
47	22018024	Stopskrue M6x20 45H sort m/kra	Headless screw M6x20 45H blac	Anschlagsschraube M6x20	
49	26020027	Chainwell 1/2"-25/35tdr.-Ø20H7	Chain wheel 1/2" -5/16'' Z=25/	Kettenrad 1/2"	
55	22052005	Låsemøtrik M12 FZB	Lock nut M12 fzb	Gegenmutter M12	
58	21000705	Hydr. vinkel Ø12m/oml x 1/2"K	Hydr. elbow Ø12m/oml x 1/2"K	Hydr. Winkel ø12	
59	21001052	Omvendt hydr.samler Ø12	Hydr. collector Ø12	Hydr. Sammler	
61	V1102110	Washer for spring bottom	Washer for spring bottom AISI	Schreibe für Federboden	
62	s7400020	Lejedæksel f. 204	Bearing cap	Lagerdeckel	



SALT AND GRITSPREADER 200H  
 V1.200.000

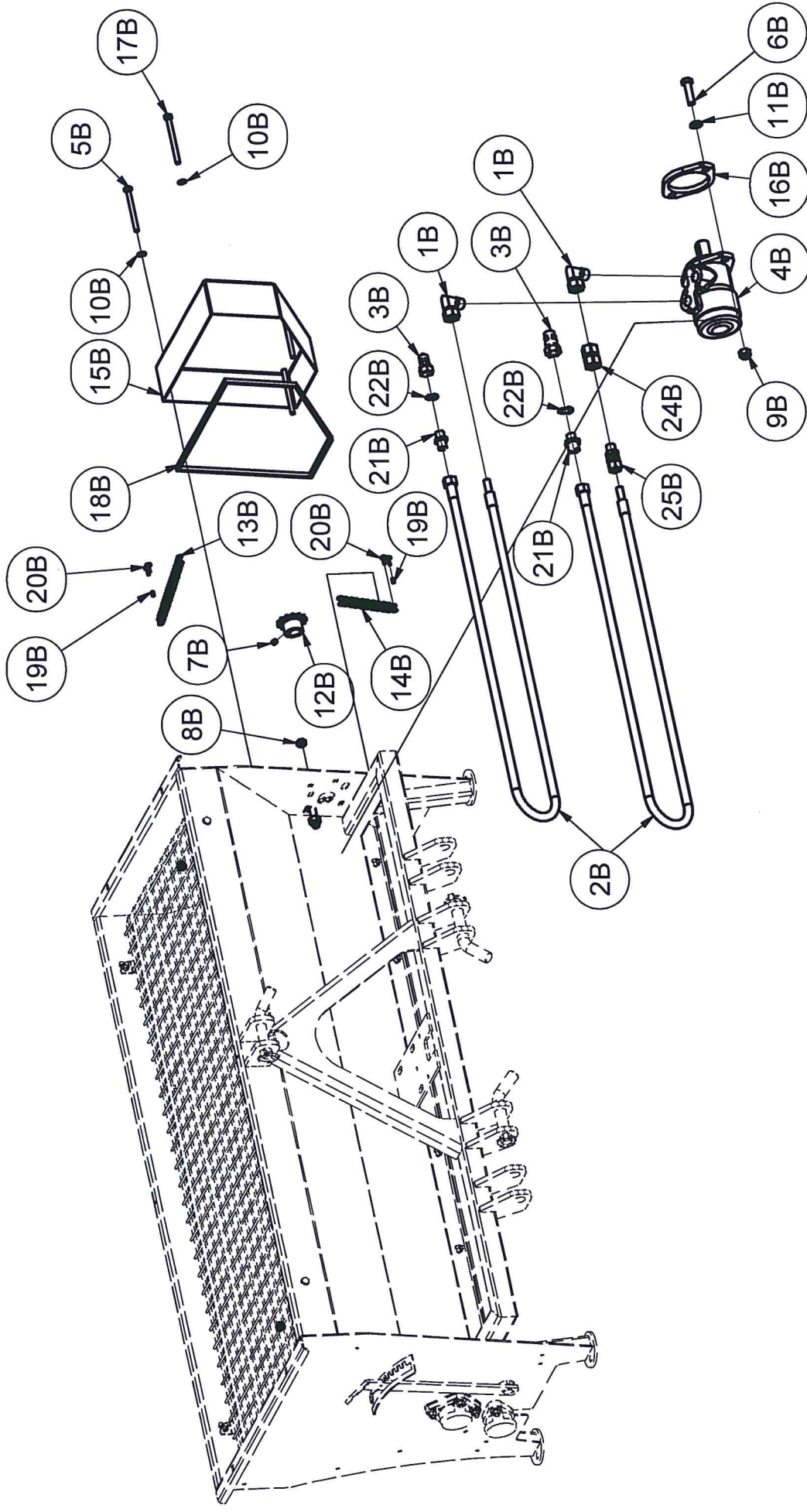
# 200 H

Pos	Res.no.	Med oliemotor	with oilmotor	Mit ölmotor	Note
64	22002300	Mask. bolt M12x45 fzb	Machine bolt M12x45 fzb	Maschine Bolzen M12x45	
65	21075603	Kontraventil ø120ml. 1,0bar 23	Non-return valve ø120ml. 1,0ba	Rückschlagventil	
66	22058610	Skive M12 ø23/ø13x2,5 FZB	Washer M12 fzb Ø23XØ13X2,5 FZB	Scheibe M12	
67	21000402	Hankobling 1/2" sterling	Male hydraulic snap coupling 1	Hydr. Anschluss 1/2"	
68	21000403	Hankobling 3/8" sterling	Male coupling 3/8"	Hydr. Anschluss Aus.g. 3/8"	
69	21000844	Hydr. brystnippel 3/8"xM16-1,5	Hydr. hexagon nipple 3/8"xM16-	Hydr. Reduziernippel	
70	21062101	Pakning 3/8"	Seal Ring 3/8"	Dichtring 3/8"	
71	21062102	Pakring 1/2"	Seal Ring 1/2"	Dichtring 1/2"	
72	V1202000	Mellemflange for OMR	Flanged for OMR	Flansch	
73	26020023	Simp.nav kædehjul 1/2"-13Z/Ø25	Chain wheel 1/2"-13Z/Ø25H7	Kettenrad 1/2"-13Z/Ø25	
74	21016015	Hydr. slange 3/8"x1500	Hydr. hose 3/8"x1500	Hydr. Schlauch 3/8"x1500	
75	21000845	Hydr. brystnippel 1/2"xM16-1,5	Hydr. hexagon nipple 1/2"xM16-	Hydr. Reduziernippel	



# 300 H

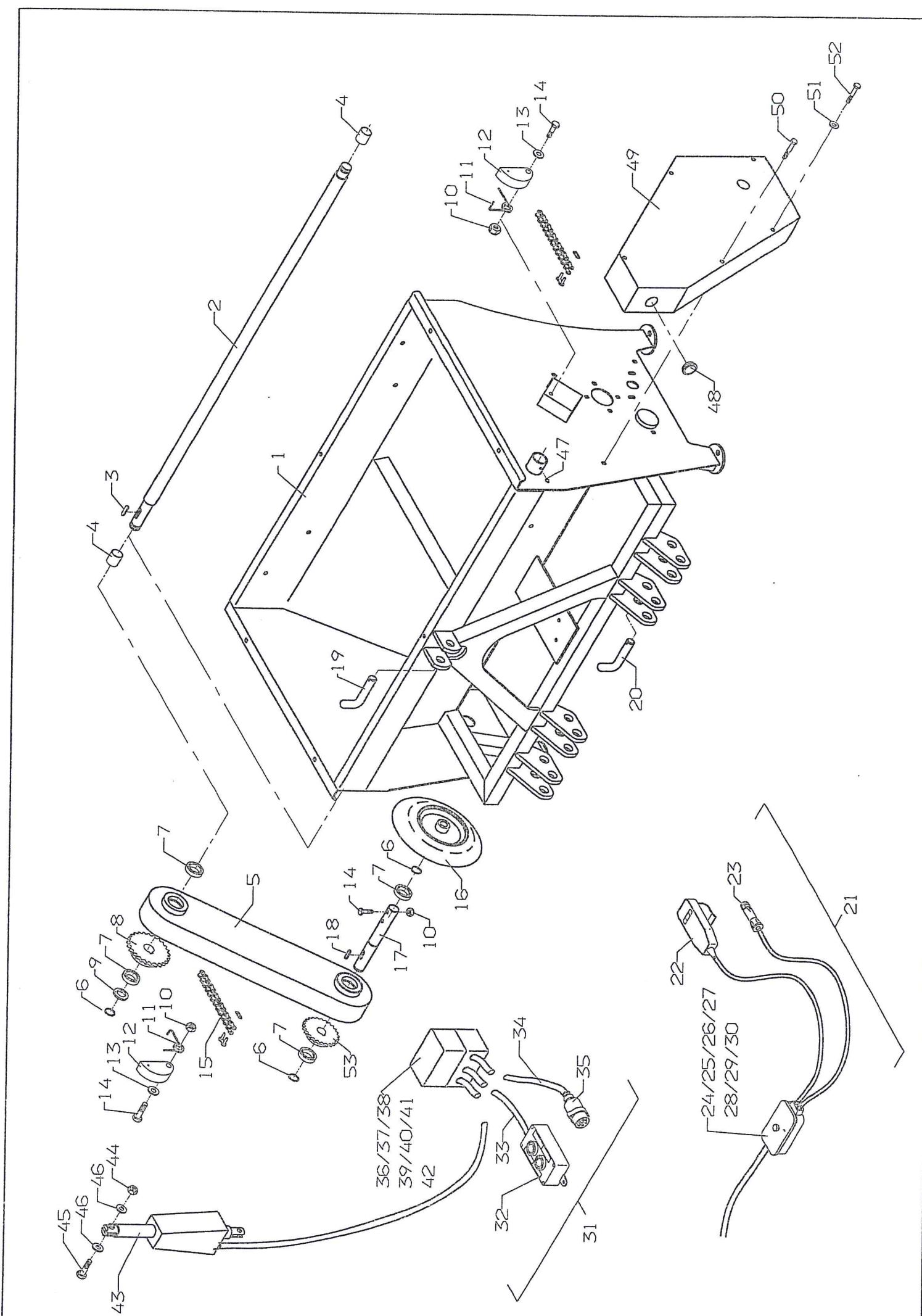
Pos	Res.no.	Med oliemotor	with oilmotor	Mit ölmotor	Note
4	22077103	Rustfri låsemøtrik M8	Stainless lock nut M8 DIN 985	Rostfrei Gegenmutter M8	
6	22077005	Rustfri sætskrue M8x25	Stainless setscrew M8x25	Rostfrei Satzschraube M8x25	
7	V1110002	Kasse, svejst type 300	Hopper type 300, welded	Salz- und kiesstreuer 300	
8	22077043	Rustfri brædebolt M8x30	Stainless carriage bolt M8x30	Rostfrei Schwellenschraube M8x	
10	25020000	Flangeleje UCF 204 Ø20	Flanged bearing 204	Flanschenlager 204	
11	22077007	Rustfri sætskrue M6x12	Stainless setscrew M6x12	Rostfrei Satzschraube M6x12	
12	22077201	Rustfri fjederskive M6	Stainless spring washer M6	Rostfrei Federscheibe M6	
13	22077532	Rustfri skive ø16/ø8,4x1.5	Stainless washer ø16/ø8,4x1.5	Rostfrei Scheibe	
15	23000401	Feder 6x6x20 form A	Key 6x6x20 form A	Feder 6x6x20 form A	
19	23006000	Traktorsplit Ø4,5X33/35 FZB	Split pin Ø4,5X33/35 FZB	Splint ø4,5x40	
1B	21000705	Hydr. vinkel Ø12m/oml x 1/2"K	Hydr. elbow Ø12m/oml x 1/2"K	Hydr. Winkel ø12	
20	s7400020	Lejedæksel f. 204	Bearing cap	Lagerdeckel	
21	25020001	Flangeleje UCFL 204-Ø20	Flanged bearing 204-Ø20	Flanschenlager 204-Ø20	
23	26020028	Chainwell 1/2"-Z25/Ø20	Chain wheel 1/2"-Z25/Ø20	Kettenrad 1/2"	
26	8000031	Gummibund 6x75x1262 Type 120/3	Rubber bottom 6x75x1262	Gummiboden 6x75x1262	
27	8000032	Gummibund 5x120x1262 Type 120/	Rubber bottom 5x120x1262	Gummiboden 5x120x1262	
28	V1005100	Pakning f. UCFL 204	Rubber Packing Ø48/Ø20x2 - NBR	Dichtung	
29	V1100034	Sæt, skrue-knast - Sandspreder	Set, screw-cam - 120/300	Satz, Nocken-Schrauben - 120/3	
2B	21016015	Hydr. slange 3/8"x1500	Hydr. hose 3/8"x1500	Hydr. Schlauch 3/8"x1500	
30	V1015000	Nagle for toppunkt	Spike f. summit	Nagel f. Gipfel	
31	V1016000	Nagle for liftarm	Spike f. liftarm	Nagel f.	
33	V1102001	Fjederbund monteret 120/300	Spring bottom	Federboden	
34	V1102043	Adjusting handle	Adjusting handle	Einstellungs handgriff	
36	V1104003	Rist til 300 K, svejst	Grate for 300 K, welded	Gitter für 200 K	
37	V1105000	Bagplade v/leje UCF 204	Back plate a/bearning UCF 204	Platte für Lager UCF 204	
38	V1106001	Omrører til type 120/300	Stirrer type 120/300	Umrühren	
3B	21000402	Hankobling 1/2" sterling	Male hydraulic snap coupling 1	Hydr. Anschluss 1/2"	
3B	21000403	Hankobling 3/8" sterling	Male coupling 3/8"	Hydr. Anschluss Aus.g. 3/8"	
42	V1109001	Udlæggervalse f. 120/300, mont	Roll for 120/300, mounted	Auslegerwalze	
43	V1112001	Liste v/gummibund Type 120/300	Retainer Type 120/300	Kehlung	
49	26020027	Chainwell 1/2"-25/35tdr.-Ø20H7	Chain wheel 1/2" -5/16'' Z=25/	Kettenrad 1/2"	
4B	21072003	Oliemotor OMP 100 HPS C25	Oil engine OMP 100 HPS C25	Ölmotor Bg 100N C25	168.180.001-
4B	21070306	Pakningssæt Sam BG	Packing set Sam BG	Dichsatz Sam BG	168.180.001-
4B	21070300	Oliemotor Ar 100N C25	Oil engine	Ölmotor	-168.270.015
4B	21070302	Pakningssæt Sam AR	Gasket set Sam AR	Dichsatz Sam AR	-168.270.015
4B	21070306	Pakningssæt Sam BG	Packing set Sam BG	Dichsatz Sam BG	184.180.001-
4B	21072003	Oliemotor OMP 100 HPS C25	Oil engine OMP 100 HPS C25	Ölmotor Bg 100N C25	184.180.001-
4B	21070302	Pakningssæt Sam AR	Gasket set Sam AR	Dichsatz Sam AR	-184.270.018
4B	21070300	Oliemotor Ar 100N C25	Oil engine	Ölmotor	-184.270.018
55	22018024	Stopskrue M6x20 45H sort m/kra	Headless screw M6x20 45H blac	Anschlagsschraube M6x20	
59	V1102110	Washer for spring bottom	Washer for spring bottom AISI	Schreibe für Federboden	
5B	22077015	Rustfri bolt M8x90	Stainless bolt M8x90 DIN 931 A	Rostfrei Bolz M8x90	
6B	22002300	Mask. bolt M12x45 fzb	Machine bolt M12x45 fzb	Maschine Bolzen M12x45	
7B	22018030	Stopskrue M8x10 45H sort m/kra	Headless screw M8x10 45H	Anschlagsschraube M8x10	
8B	22077103	Rustfri låsemøtrik M8	Stainless lock nut M8 DIN 985	Rostfrei Gegenmutter M8	
9B	22052005	Låsemøtrik M12 FZB	Lock nut M12 fzb	Gegenmutter M12	
10B	22077532	Rustfri skive ø16/ø8,4x1.5	Stainless washer ø16/ø8,4x1.5	Rostfrei Scheibe	
11B	22058610	Skive M12 ø23/ø13x2,5 FZB	Washer M12 fzb Ø23XØ13X2,5 FZB	Scheibe M12	





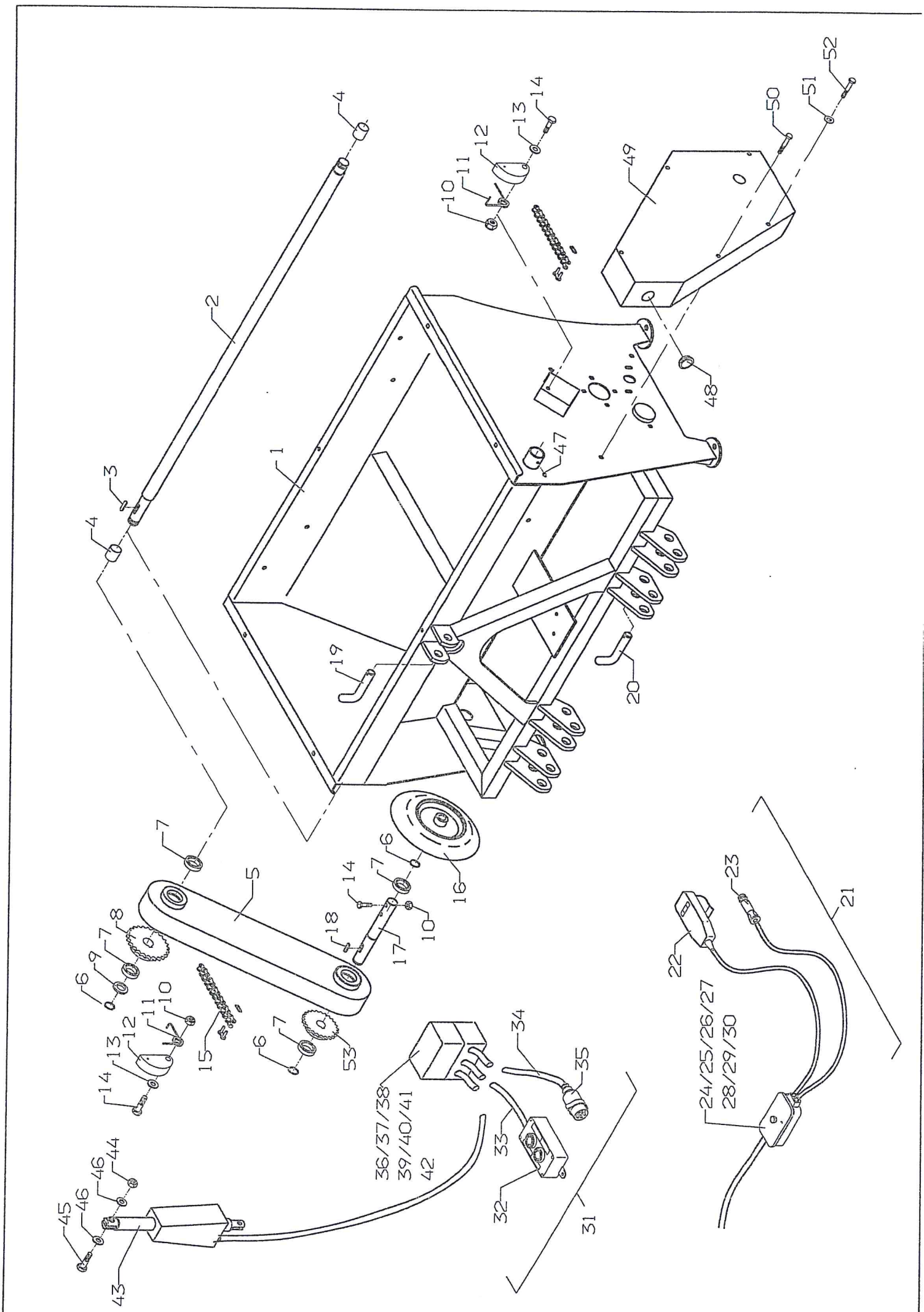
# 300 H

Pos	Res.no.	Med oliemotor	with oilmotor	Mit Ölmotor	Note
12B	26020023	Simp.nav kædehjul 1/2"-13Z/Ø25	Chain wheel 1/2"-13Z/Ø25H7	Kettenrad 1/2"-13Z/Ø25	
13B	V1115000	Simp. kæde 1/2"x5/16"-52 led	Chain	Kette	
14B	V1114000	Simp. kæde 1/2"x5/16"-42 led	Chain 1/2"x5/16"-42 led	Kette	
15B	V1101000	Skærm v/kædedrev	Guard	Schirm	
16B	V1202000	Mellemflange for OMR	Flanged for OMR	Flansch	
17B	22077341	Rustfri bolt M8x100	Stainless bolt M8x100	Rustfrei Bolz M8x100	
18B	8000005	Gummitætningsliste 5x8	Rubber sealing profile 5x8	Gummidichtungsliste 5x8	
19B	26030034	Fork. samleled simp. 1/2"x5/16	Joint link cranked 1/2"x5/16"	Sammelglied verkröpft 1/2"	
20B	26030021	Udv. samleled simp.1/2"	Joint link 1/2"	Zwischenglied	
21B	21000844	Hydr. brystnippel 3/8"xM16-1,5	Hydr. hexagon nipple 3/8"xM16-	Hydr. Reduziernippel	
21B	21000845	Hydr. brystnippel 1/2"xM16-1,5	Hydr. hexagon nipple 1/2"xM16-	Hydr. Reduziernippel	
22B	21062101	Pakning 3/8"	Seal Ring 3/8"	Dichtring 3/8"	
22B	21062102	Pakring 1/2"	Seal Ring 1/2"	Dichtring 1/2"	
24B	21001052	Omvendt hydr.samler Ø12	Hydr. collector Ø12	Hydr. Sammler	
25B	21075603	Kontraventil ø12oml. 1,0bar 23	Non-return valve ø12oml. 1,0ba	Rückschlagventil	



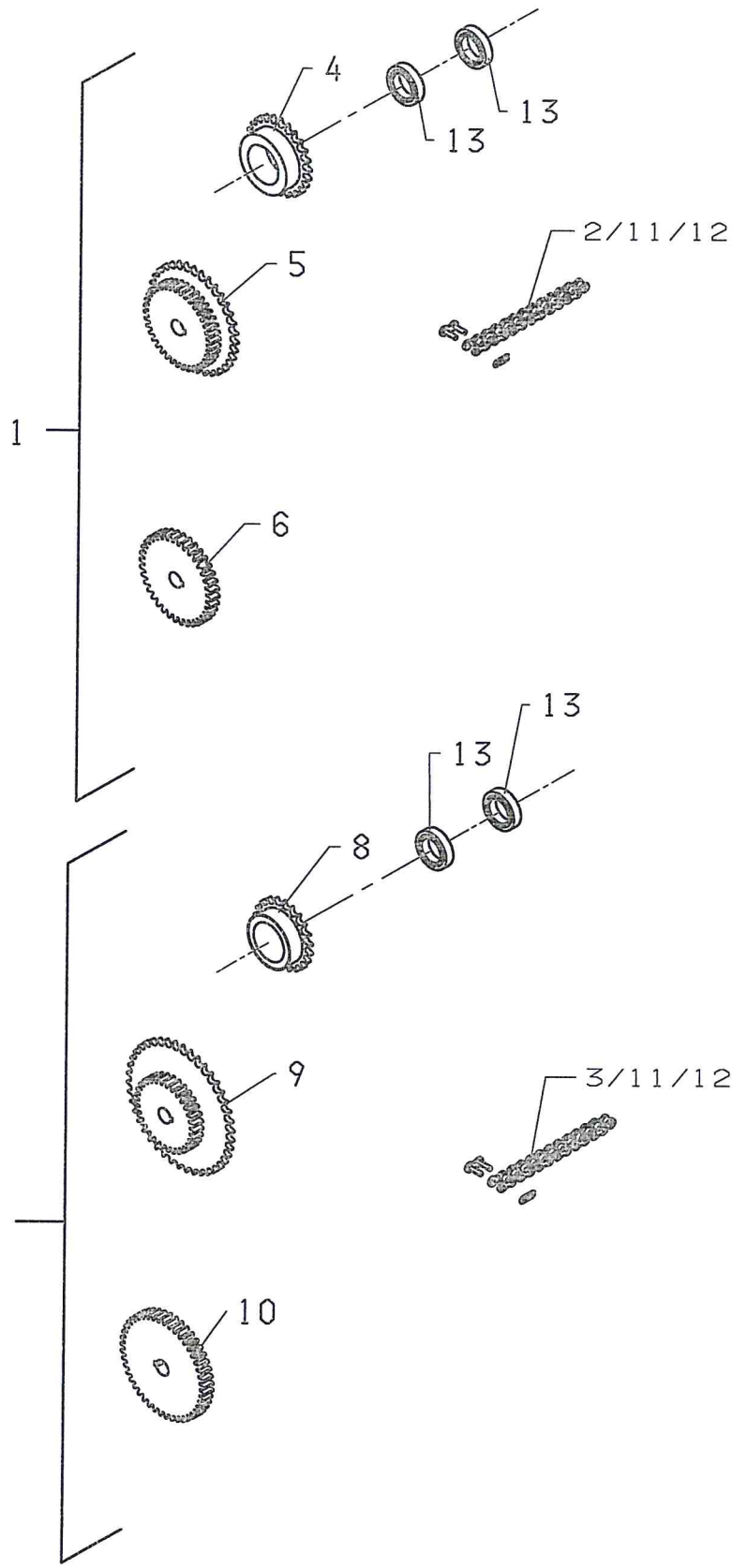
# 200 - 300 K

Pos	Res.no.	Kørsel afh.	Driving dep.	Fahrabhängen	Note
	V1300000	Salt- og grusspreder 200K	Salt-and gritspreader 200K	Salz- und Kiesstreuer 200K	
	V1300001	Salt- og grusspreder 300K	Salt-and gritspreader 300K	Salz- und Kiesstreuer 300K	
1	V1301000	Kasse type 200 K	Hopper	Behälter	
1	V1301001	Kasse for 300 K	Hopper	Behälter	
2	V1306000	Tværaksel ø28x1176 comp.	Transverse shaft ø28 x 1176 mm	Querwelle ø28 x 1176 mm	
2	V1306001	Tværaksel 300 ø28x1426	Transverse shaft	Querwelle	
3	23000506	Feder 8x7x30 form A	Key 8x7x30 form A	Feder 8x7x30 form A	
4	25040100	DU-bøsning MB ø28/ø32x30	Bush ø28/ø32x30	Buchse ø28/ø32x30	
5	V1304040	Drivarm type 200/300	Arm	Hebel	
6	23005010	Låsering Ø25 udvendig	Ring lock ø25	Schliessring ø25	
7	25000152	Syrefast Sporkugleleje S6005-2	acidproof step ball bearing S6	säurefester spurkugellager S60	
8	26020017	Simp. kædehjul 1/2"-22T/Ø25	Chain wheel 1/2"-22T/ø25	Kettenrad 1/2"-22Z/ø25	
9	22058000	Passkive ø25/ø35x0,5	Pas washer ø25/ø35x0,5	Pas-scheibe ø25/ø35x0,5	
9	22058001	Passkive ø25/ø35x1.0	Pas washer ø25/ø35x1	Pas-scheibe ø25/ø35x1	
10	22077103	Rustfri låsemøtrik M8	Stainless lock nut M8 DIN 985	Rostfrei Gegenmutter M8	
11	23006512	Armfjeder, højre	Armspring, right	Armfeder, rechts	
12	V4110107	Rør f. strammeklods 37 mm.	Pipe	Rohr	
12	V1304100	Strammeklods B=25	Tension block	Stramm Klotz	
13	22077535	Rustfri skive ø24/ø8,4x2 DIN	Rustproof washer ø24/ø8,4x2	Rostfrei Scheibe	
14	22077003	Rustfri sætskrue M8x50 DIN 933	Rustproof setscrew M8x50	Rostfrei Satzschraube M8x50	
15	26030034	Fork. samleled simp. 1/2"x5/16	Joint link cranked 1/2"x5/16"	Sammelglied verkröpft 1/2"	
15	26030021	Udv. samleled simp.1/2"	Joint link 1/2"	Zwischenglied	
15	V1308000	Simp. kæde 1/2"x5/16"-90 led	Chain 1/2"x5/16"	Kette 1/2"x5/16"	
16	24000111	Dæk 3.00X4/4 C248	Tyre 3x4/4	Reifen 3x4/4	
16	24000210	Fælg halvskål 2.10-4	Rim 2,1-4	Felge 2,1-4	
16	24000308	Slange 2,50/3x4	Hose 2,5/3x4	Schlauch 2,5/3x4	
16	V1304041	Nav for drivhjul, svejst	Hub f. driving wheel	Nabe f. Treibrad	
16	V1304001	Hjul komplet for 200K/300K	Wheel 200K/300K	Rad 200K/300K	
17	V1304102	Aksel f. drivhjul	Shaft	Welle	
18	23000502	Feder 8x7x25 form A	Key 8x7x25 form A	Feder 8x7x25 form A	
19	V1015000	Nagle for toppunkt	Spike f. summit	Nagel f. Gipfel	
20	V1016000	Nagle for liftarm	Spike f. liftarm	Nagel f.	
21	V1307002	El-styring 200K/300K	El-control 200K/300K	El.-Steuerung 200K/300K	-172.110.009
21	V1307001	99 El-styring 200K/300K	El-control 200K/300K	El.-Steuerung 200K/300K	-172.180.010
21	V1307002	El-styring 200K/300K	El-control 200K/300K	El.-Steuerung 200K/300K	-186.110.005
21	V1307001	99 El-styring 200K/300K	El-control 200K/300K	El.-Steuerung 200K/300K	-186.260.007
22	20000061	Håndbetjening HB7160000-20500	Manual control	Handbedienung	
22	20000061	Håndbetjening HB7160000-20500	Manual control	Handbedienung	
23	20010200	Hanstik 2-polet 12/24V 12A	Plug Socket KS 2243	Stecker KS 2243	
23	20010200	Hanstik 2-polet 12/24V 12A	Plug Socket KS 2243	Stecker KS 2243	
24	20010300	Samledåse 12x2 skruetilslutnin	Conduit box KA1578	Sammeldose KA1578	
25	20010101	Kabelsko hun 6,3 1,5-2,5 kv	Cable eye 6,3 1,5-2,5 kv	Kabelschuh 6,3 1,5-2,5 kv	
26	20010300	Samledåse 12x2 skruetilslutnin	Conduit box KA1578	Sammeldose KA1578	
27	22031001	Maskinskrue M5x16 FZB CH	Machine screw M5x16 FZB CH	Maschineschraube M5x16	
28	22031001	Maskinskrue M5x16 FZB CH	Machine screw M5x16 FZB CH	Maschineschraube M5x16	
29	22052001	Låsemøtrik M5 FZB	Lock nut M5 FZB	Gegenmutter M5	
30	22052001	Låsemøtrik M5 FZB	Lock nut M5 FZB	Gegenmutter M5	
31	V1307003	El-styring for 200/300K	El-control 200K/300K	El.-Streuerung 200K/300K	-2006 04010502



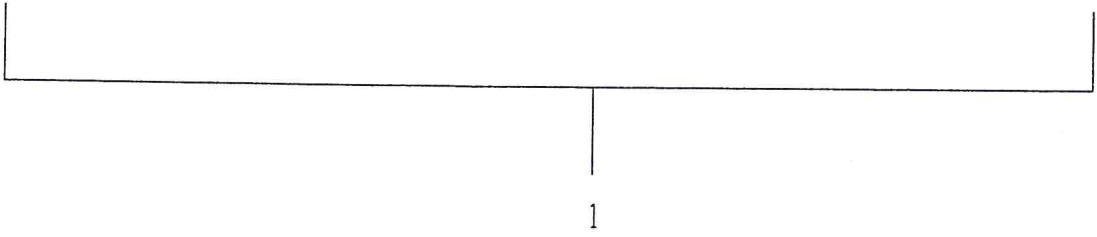
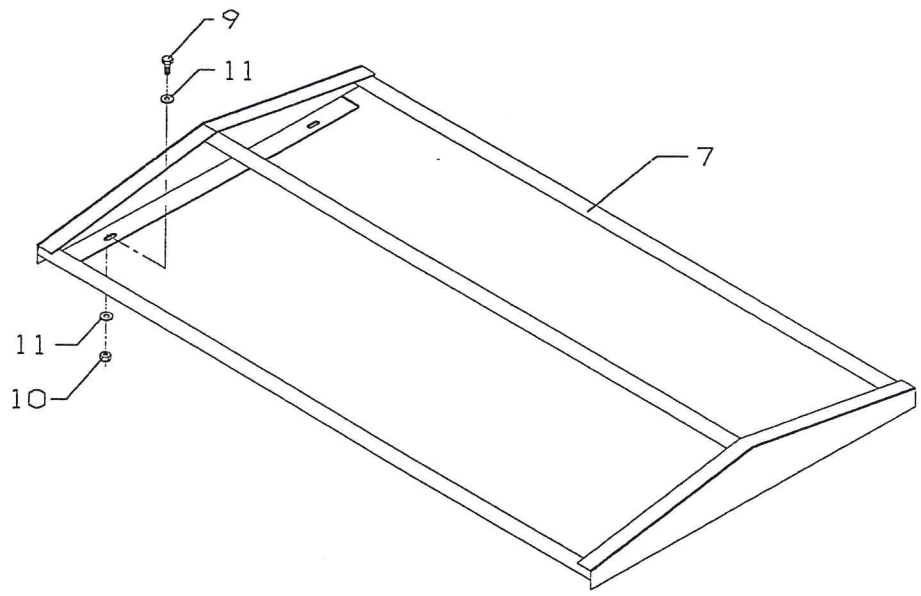
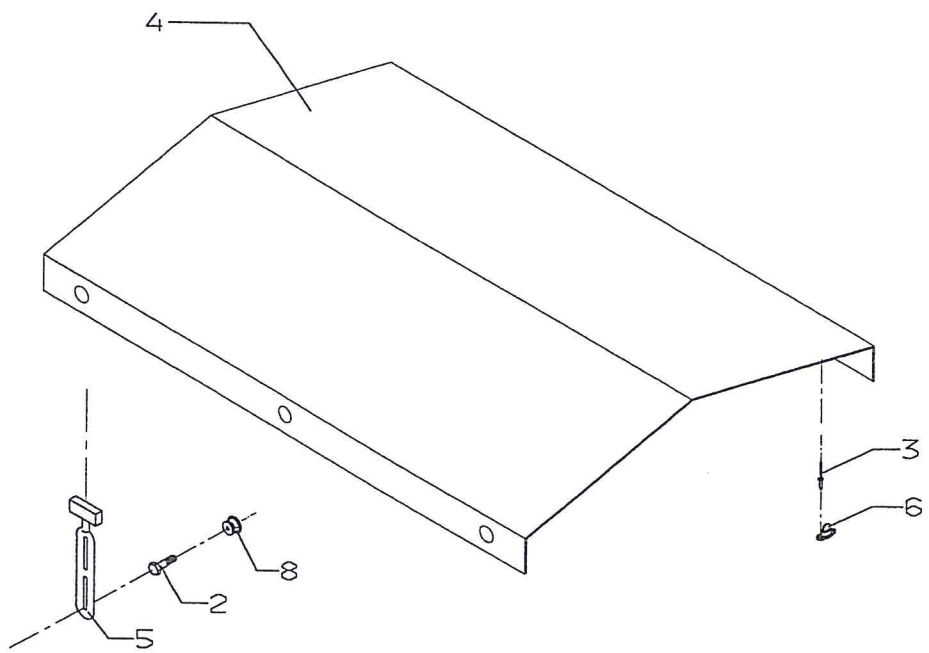
# 200 - 300 K

Pos	Res.no.	Kørsel afh.	Driving dep.	Fahrabhängen	Note
31	V1307004	Elstyring for 200/300K	Elcontrol 200K/300K	Elsteuerung 200K/300K	2006- 040106001
31	V1307003	El-styring for 200/300K	El-control 200K/300K	El.-Steuerung 200K/300K	-2006 041105010
31	V1307004	Elstyring for 200/300K	Elcontrol 200K/300K	Elsteuerung 200K/300K	2006- 041106001
32	20009330	Kontaktbox m/2 tryk	Switch box	Schalterdose	
33	20010003	Spiralkabel LU1-5	Spiralcable LU1-5	Spiralkabel LU1-5	
34	20010000	Kabel 2-ledet 1.5mm2 stranded	Cable 2x 1.5mm2 stranded	Kabel	
35	20010201	7-polet hanstik ISO 1724	Plug socket 7-pole ISO 1724	Stecker KS 6607	
36	20000053	Endestop SA42A-12V 0,8-8 amp	End-Stop	Halt	-2006 040105020
36	20000054	Endestop SA14HZ-30Amp-12VDC	End-Stop	Halt	2006- 040106001
36	20000054	Endestop SA14HZ-30Amp-12VDC	End-Stop	Halt	2006- 04106001
36	20000053	Endestop SA42A-12V 0,8-8 amp	End-Stop	Halt	-2006 041105010
37	20010415	Monteringskasse 75x125x100 CUB	Mounting box	Sammeldose	
38	20010651	Forskruning PG11 KA 5201-1	Connection	Verschraubung	
39	20010670	Fladpakning NW 13	Flat packing	Flachdichtung	
40	22030001	Maskinskrue M4x25 FZB CH	Machine srew M4X25	Maschineschraube M4X25	
41	22052000	Låsemøtrik M4 FZB	Locking nut M4	Schliessmutter M14	
42	22058404	Planskive M4 10/4,3x0,8 fzb	Washer M4 10/4,3x0,8 fzb	Scheibe M4 10/4,3x0,8	
43	20000007	Linak LA28.2SB-100-12VDC-001	El-cylinder	El-Zylinder	2006- 040.102.001
43	20000008	Linak LA36.3-100-12VDC-003 260	El-cylinder	El-Zylinder	2006- 040106001
43	20000007	Linak LA28.2SB-100-12VDC-001	El-cylinder	El-Zylinder	2006- 041.102.001
43	20000008	Linak LA36.3-100-12VDC-003 260	El-cylinder	El-Zylinder	2006- 041106001
43	20000004	Linak LA28.2SB-100-12VDC-001	El-cylinder	El-Zylinder	-2006 172.110.009
43	20000004	Linak LA28.2SB-100-12VDC-001	El-cylinder	El-Zylinder	-2006 186.110.009
44	22077104	Rustfri låsemøtrik M10	Stainless lock nut M10 A4 DIN	Rostfrei Gegenmutter M10	
45	22077013	Sætskrue M10x40 A2	Rustproof setscrew M10x40	Rostfrei Stazschraube M10x40	
46	22077550	Rustfri skive M10 ø18/ø10,5x1,	Stainless washer M10 ø18/ø10,5	Rostfrei Scheibe M10	
47	21060000	Smørenippel M6 lige	Grease nipple M6X1 straight	Schmiernippel M6x1	
48	8000004	Gummiprop ø25/30 10806	Rubber plug ø31	Gummistöpsel ø31	
49	V1305000	Skærm v/kæde svejst	Guard	Schirm	
49	8000005	Gummitætningliste 5x8	Rubber sealing profile 5x8	Gummidichtungsliste 5x8	
50	22077015	Rustfri bolt M8x90	Stainless bolt M8x90 DIN 931 A	Rostfrei Bolz M8x90	
51	22077532	Rustfri skive ø16/ø8,4x1.5	Stainless washer ø16/ø8,4x1.5	Rostfrei Scheibe	
52	22077341	Rustfri bolt M8x100	Stainless bolt M8x100	Rustfrei Bolz M8x100	
53	26020003	Simp. kædehjul 1/2"-17Z/ø25-N8	Chain wheel 1/2"-17T/ø25	Kettenrad 1/2"-17Z/ø25	



# 200 - 300 K

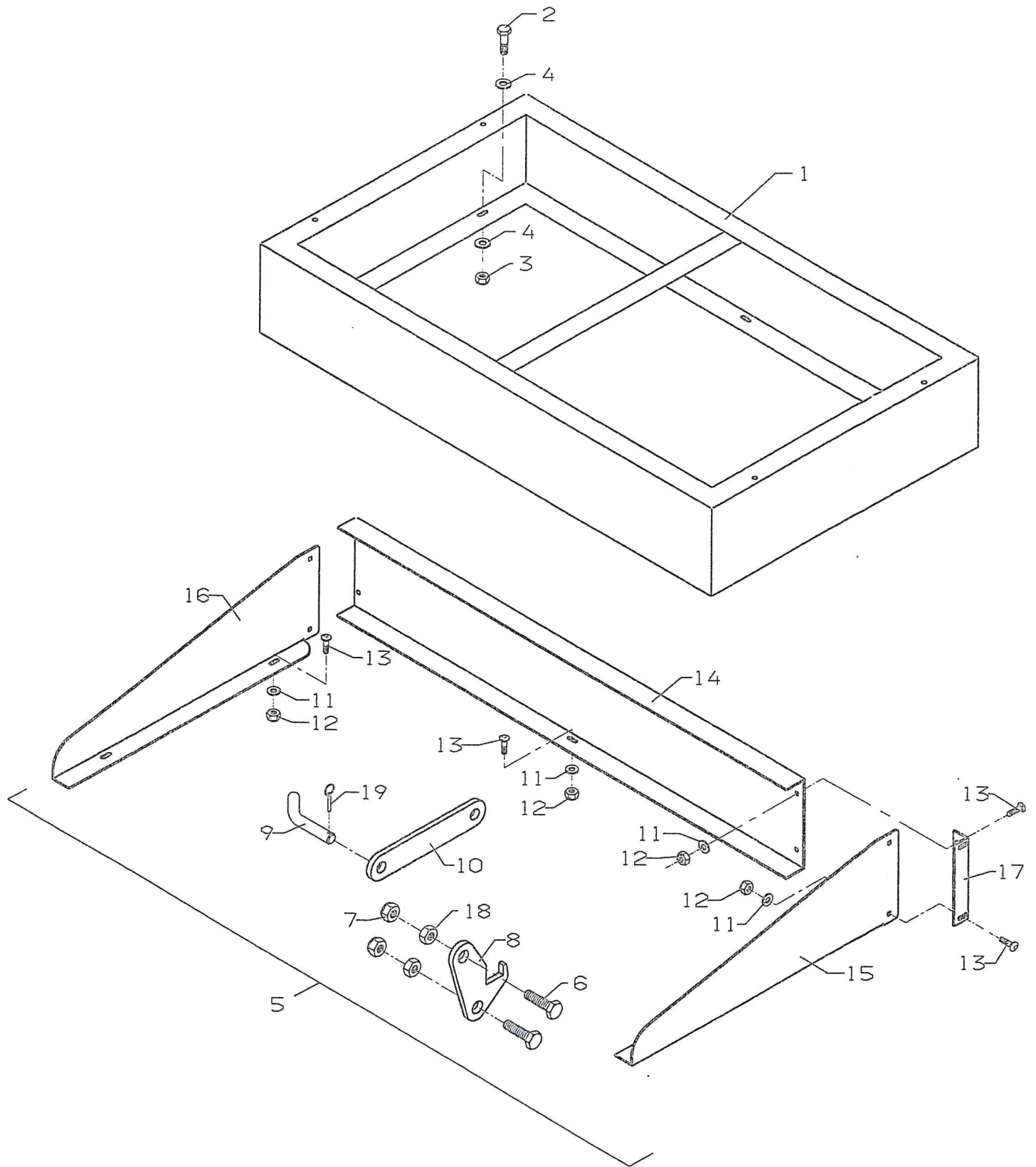
Pos	Res.no.	Gearing	Gear gate	Zahnradwechselget	Note
1	V1900018	Sæt, gearing til sand for 200/	Set, gear gate for grit 200/30	Satz, Zahnradwechselgetriebe	200-300K
2	V1309000	Simp. kæde 1/2"x5/16"-92 led	Chain 1/2"x5/16"	Kette 1/2"x5/16"	
3	V1310000	Simp. kæde 1/2"x5/16"-94 led	Chain 1/2"x5/16"	Kette 1/2"x5/16"	
4	26020306	Simp. kædehjul 1/2"-25Z/Ø52N7	Chain wheel 1/2"	Kettenrad 1/2"	
5	V1302000	Tandhjul 1/2"x35Z+M3x38Z	Gear-wheel	Zahnrad	
6	V1303000	Tandhjul 38z-M3/Ø20 not 6mm	Gear-wheel	Zahnrad	
7	V1900019	Sæt, gearing til salt for 200/	Set, gear gate for salt 200-30	Satz, Zahnradwechselgetriebe	200-300K
8	26020400	Simp. kædehjul 1/2" 22Z/Ø52N7	Simpel chainwheel 1/2"	Simpel ketenrad 1/2"	
9	V1302001	Tandhjul 231 M3 + kædehjul 242	Gear-wheel	Zahnrad	
10	V1303002	Tandhjul 45Z M3 på udl. aksel	Gear-wheel	Zahnrad	
11	26030021	Udv. samleled simp.1/2"	Joint link 1/2"	Zwischenglied	
12	26030034	Fork. samleled simp. 1/2"x5/16	Joint link cranked 1/2"x5/16"	Sammelglied verkröpft 1/2"	
13	25066000	Friløbsleje K6205-2RS	Free-wheeling bearing	Freilauf Buchse	





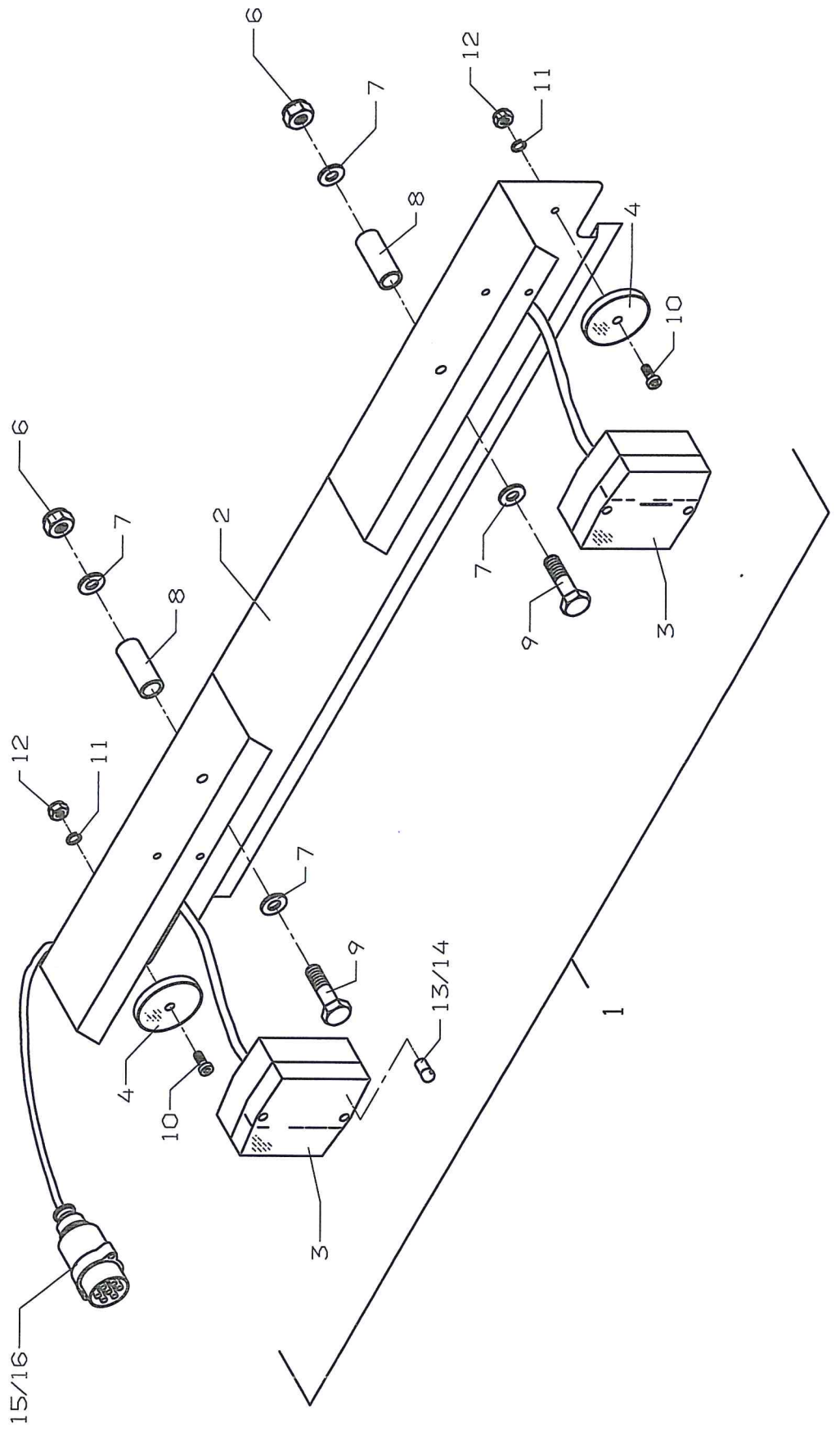
# 200 - 300 G/H/K

Pos	Res.no.	Presenning	Cover	Abdeckplane	Note
1	V1900008	Sæt, presenning type 200	Set, cover for 200G/H/K	Satz, Abdeckplane 200	
1	V1900009	Sæt, presenning type 300	Set, cover for 300G/H/K	Satz, Abdeckplane 300	
2	22032006	Selvskærende skrue 4.2x25	Self-cutting screw 4.2x25	Selbschneidend Schraube 4.2x25	
3	23005210	Rh. blindn. rustf/rf. 4,0x6	Blind rivet stainless steel 4,	Blindniet 73	
4	29003009	Presenning for 300	Tarpauling 300	Teertuch 300	
4	29003008	Presenning for 200	Tarpauling 200	Teertuch 200	
5	29003022	Strop f. presenning 190mm kort	Rubberloop f cover 190 mm. wit	Riemen	
6	29003023	Små vrider til presenning "hes	Handscrew	Schlißsschraube	
7	V1900044	Ramme for presenning, 200	Frame for tarpauling 200	Rahmen für Teertuch 200	
7	V1900045	Ramme for presenning, 300	Frame for cover 300	Rahmen für Abdeckplane 300	
8	29003021	Stropholder	Loopholder	Riemenhalter	
9	22008205	Satskrue M6x20 8.8 fzb	Set screw M6x20 8.8 fzb	Setzschraube M6x20	
10	22052002	Låsemøtrik M6 FZB	Lock nut M6 FZB	Gegenmutter M6	
11	22058401	Skive M6 FZB 18/6,4x1,6	Washer M6 FZB 18/6,4x1,6	Scheibe M6	



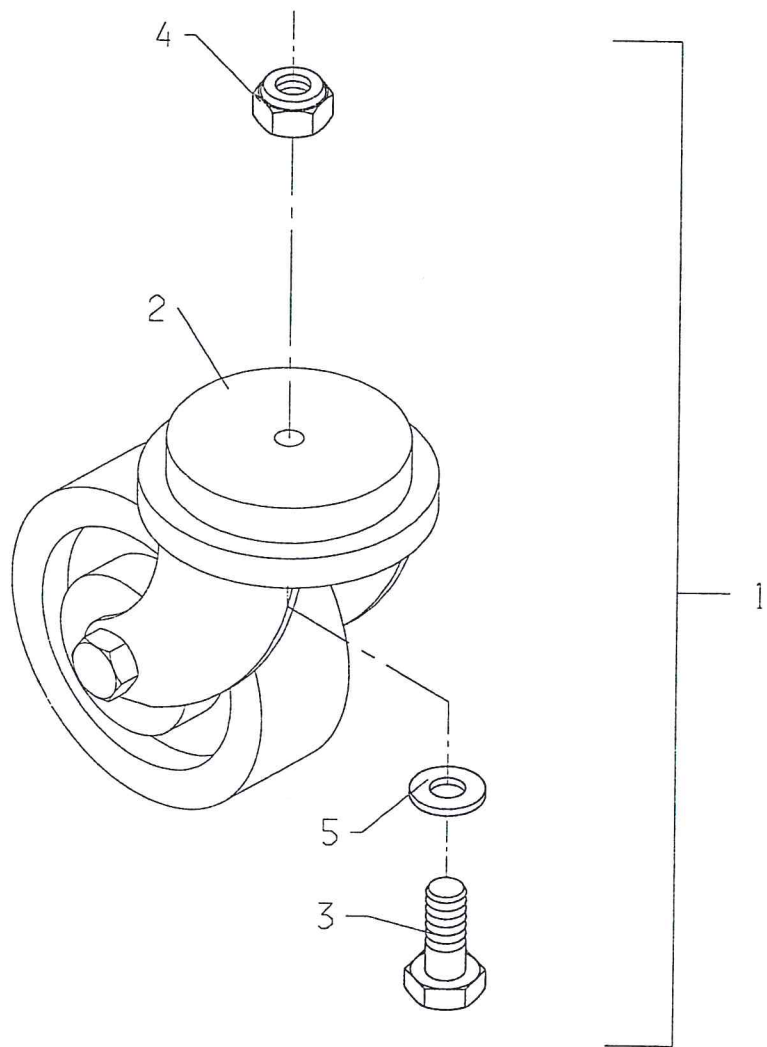
# 200 - 300 G/H/K

Pos	Res.no.	Overbygning	Hopper Extention	Behalteraufsatz	Note
1	V1900040	Overbygning for 200, svejst	Super structure	Überbau	
1	V1900043	Overbygning svejst f.300	Superstructure	Überbau	
2	22008205	Sætskrue M6x20 8.8 fzb	Set screw M6x20 8.8 fzb	Setzschraube M6x20	
3	22052002	Låsemøtrik M6 FZB	Lock nut M6 FZB	Gegenmutter M6	
4	22058401	Skive M6 FZB 18/6,4x1,6	Washer M6 FZB 18/6,4x1,6	Scheibe M6	
5	V1900023	Monteringssæt til 300/Holder t	Mounting set for 300/Holder du	Anbausatz für 300/Holder mit K	
5	V1900024	Monteringssæt til 200/Holder t	Mounting set for 200/Holder du	Anbausatz für 200/Holder mit K	
6	22008910	Sætskrue M20x110 8.8 FZB	Set Screw M20x100 8.8 FZB	Setzschraube M20x110	
7	22052009	Låsemøtrik M20 FZB	Lock nut M20 fzb	Gegenmutter M20	
8	V1900184	Special laske for 200/300K- Ho	Specialsplice	Spezial laschen	
9	V1015000	Nagle for toppunkt	Spike f. summit	Nagel f. Gipfel	
10	V1900185	Special toplaske for 300 Holde	Special-topsplince	Spezial/oberlaschen	
11	22077522	Rustfri skive M6 ø18/ø6,4x1,6	Stainless washer M6 ø18/ø6,4x1	Rostfrei Scheibe M6	
12	22077102	Rustfri låsemøtrik M6	Stainless locking nut M6	Rostfrei Gegenmutter M6	
13	22077031	Rustfri bræddbolt M6x30	Rustproof carriage bolt M6x30	Rostfrei Schwellenschraube M6x	
14	V1900180	Bagplade for overbygning til t	plate for superstructure	Hinterwand	
14	V1900186	Bagplade for overbygning til t	plate for superstructure	Hinterwand	
15	V1900182	Sideplade for overbygning til	Side plate	Seitenplatte	
16	V1900181	Sideplade for overbygning til	Side plate	Seitenplatte	
17	V1900183	Vinkel for overbygning , tip	Angel for superstructure	Winkel für Überbau	
18	22050900	Møtrik M20 8.8 FZB	Nut M20 8.8 FZB	Mutter M20	
19	23006000	Traktorsplit Ø4,5X33/35 FZB	Split pin Ø4,5X33/35 FZB	Splint ø4,5x40	



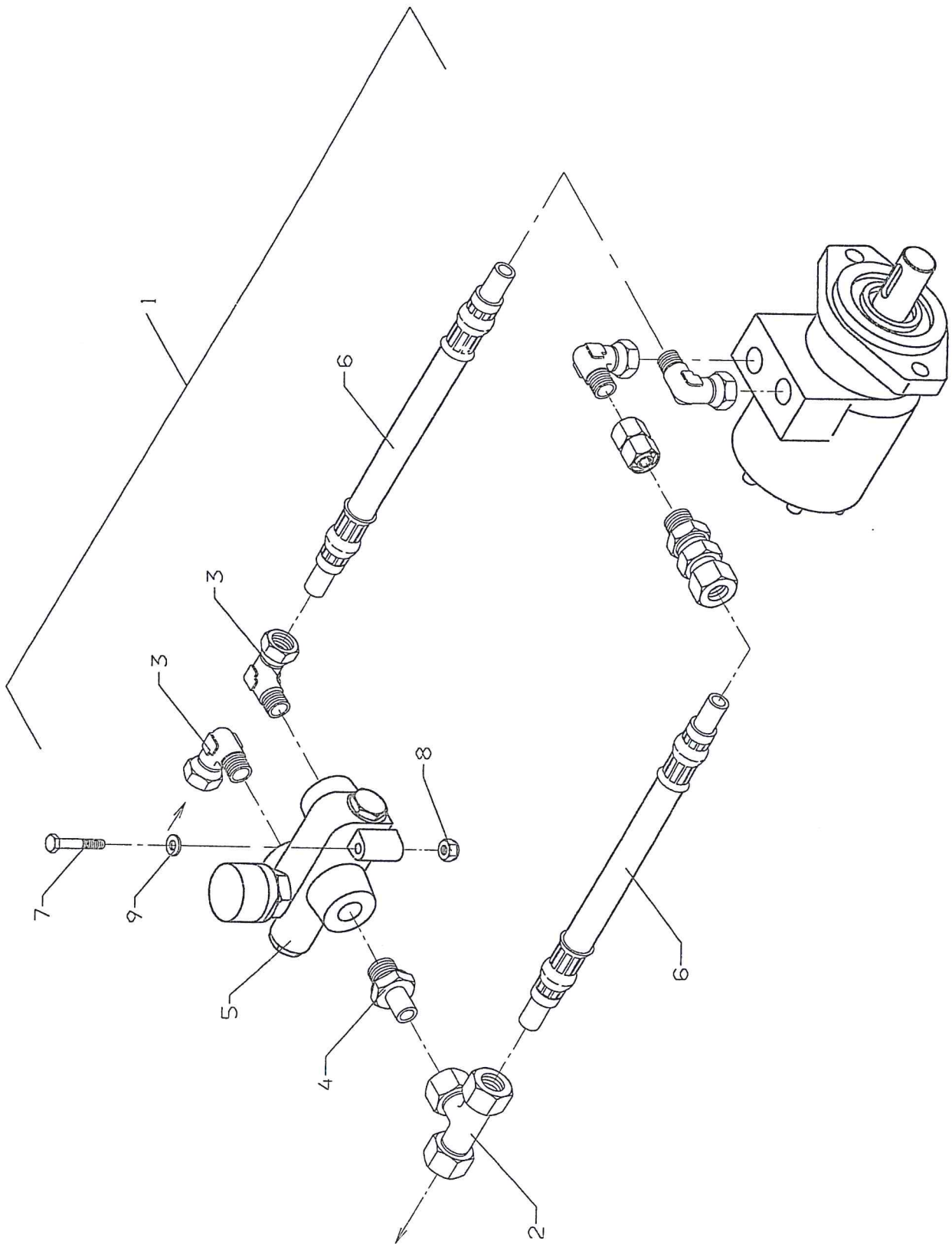
# 200 - 300 G/H/K

Pos	Res.no.	Lygtebom	Light	Lichtanlage	Note
1	V1900004	Sæt, lysanlæg 100-120-200-300-	Lighting system 100-120-200-30	Lichtanlage 100-120-200-300-MI	
2	V1900125	Lygtebjælke for type 100-200-3	Plate for light for 100-200-30	Platte für Beleuchtungsanlage	
3	20010908	Sæt baglygte Minipoint incl le	Set, Rear light system	Satz, Hinten Lichter	
4	19020106	Refleks rød ø60 AR1080-R	Reflection red ø60 AR1080-R	Reflex Rot ø60	
6	22077103	Rustfri låsemøtrik M8	Stainless lock nut M8 DIN 985	Rostfrei Gegenmutter M8	
7	22077535	Rustfri skive ø24/ø8,4x2 DIN	Rustproof washer ø24/ø8,4x2	Rostfrei Scheibe	
8	V1900110	Bøsning for lysanlæg Mini 80,	Bush for light	Buchse für lichtanlage	
9	22077311	Rustfri bolt M8x70 DIN933	Stainless bolt M8x70 A4 DIN933	Rostfrei Bolzen M8x70	
10	22031001	Maskinskrue M5x16 FZB CH	Machine screw M5x16 FZB CH	Maschineschraube M5x16	
11	22056000	Centerfjederdisk M5 fzb	Spring washer M5 FZB	Federscheibe M5	
12	22052001	Låsemøtrik M5 FZB	Lock nut M5 FZB	Gegenmutter M5	
13	20011900	Pærer 12V-21W NR.170335/12498	Bulb 12V-21W NR.170335/12498	El. Birne 12v-21w	
14	20011905	Pærer 12V-21/5W	Bulb 12V-21/5W	El. Birne 12V-21/5W	
15	20015003	Holder f. kabelbinder selvk.	Holder for cable ties	Halter f. Kabelbinder	
16	20010701	Kabelbinder YJ-100B 100x2.5	Cable ties YJ-100B 100x2.5	Kabelhalter	



# 200 - 300 G/H/K

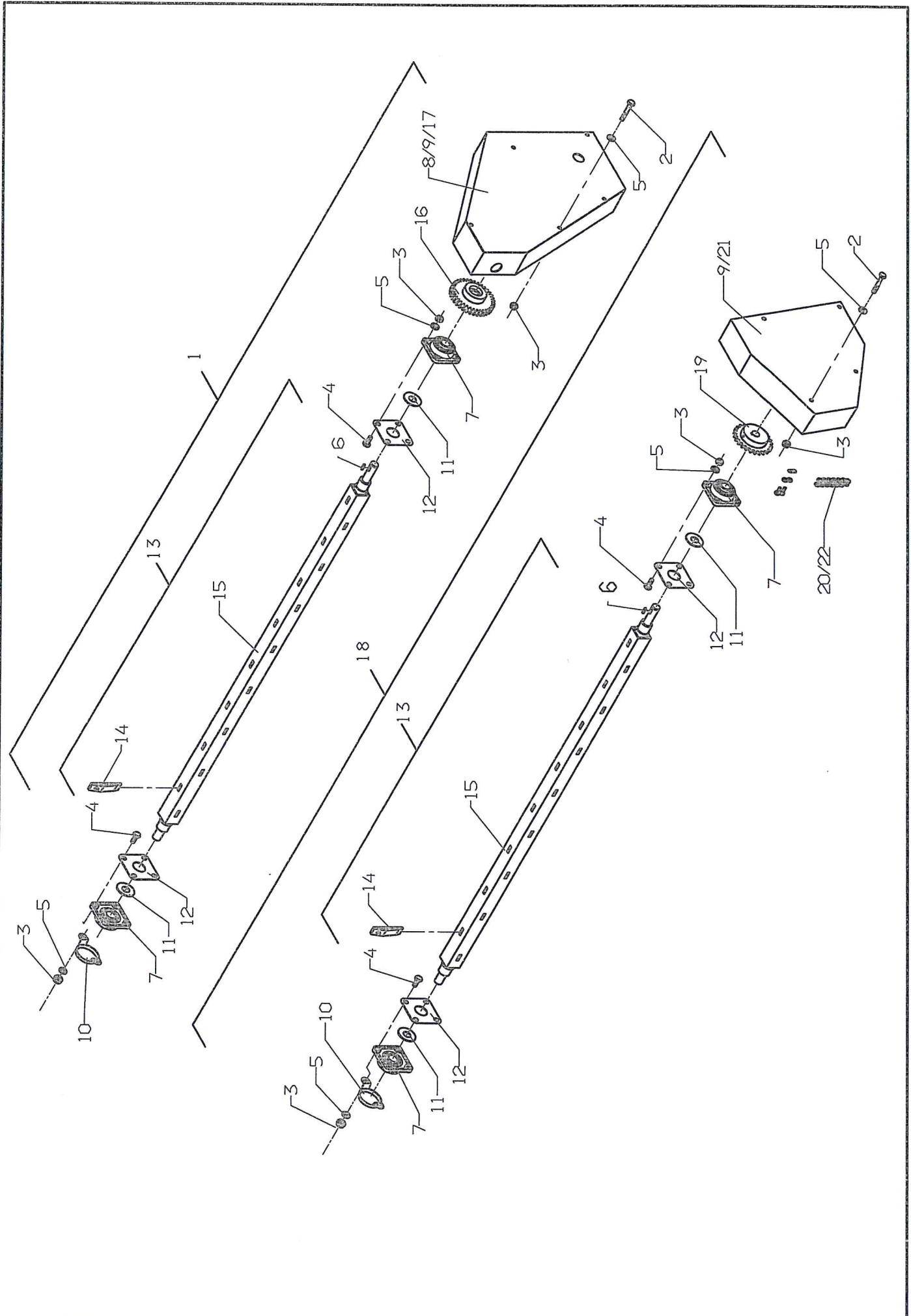
Pos	Res.no.	Transport	Wheel	Rad	Note
1	V1900033	Sæt, hjul for 200/300	Set, wheel for 200/300	Satz, Laufräder für 200/300K	
2	24050301	Industriehjul ø100 m/drejelig g	Wheel ø100	Rad ø100	
3	22008406	Sætskrue M10x40 8.8 fzb	Set screw M10x40 8,8 FZB	Setzschraube M10x40	
4	22052004	Låsemøtrik M10 FZB	Lock nut M10 FZB	Gegenmutter M10	
5	22058410	Facetskive M10 FZB 20/10.5X2	Facet washer M10 fzb Ø20XØ10,5	Facettenscheibe M10	





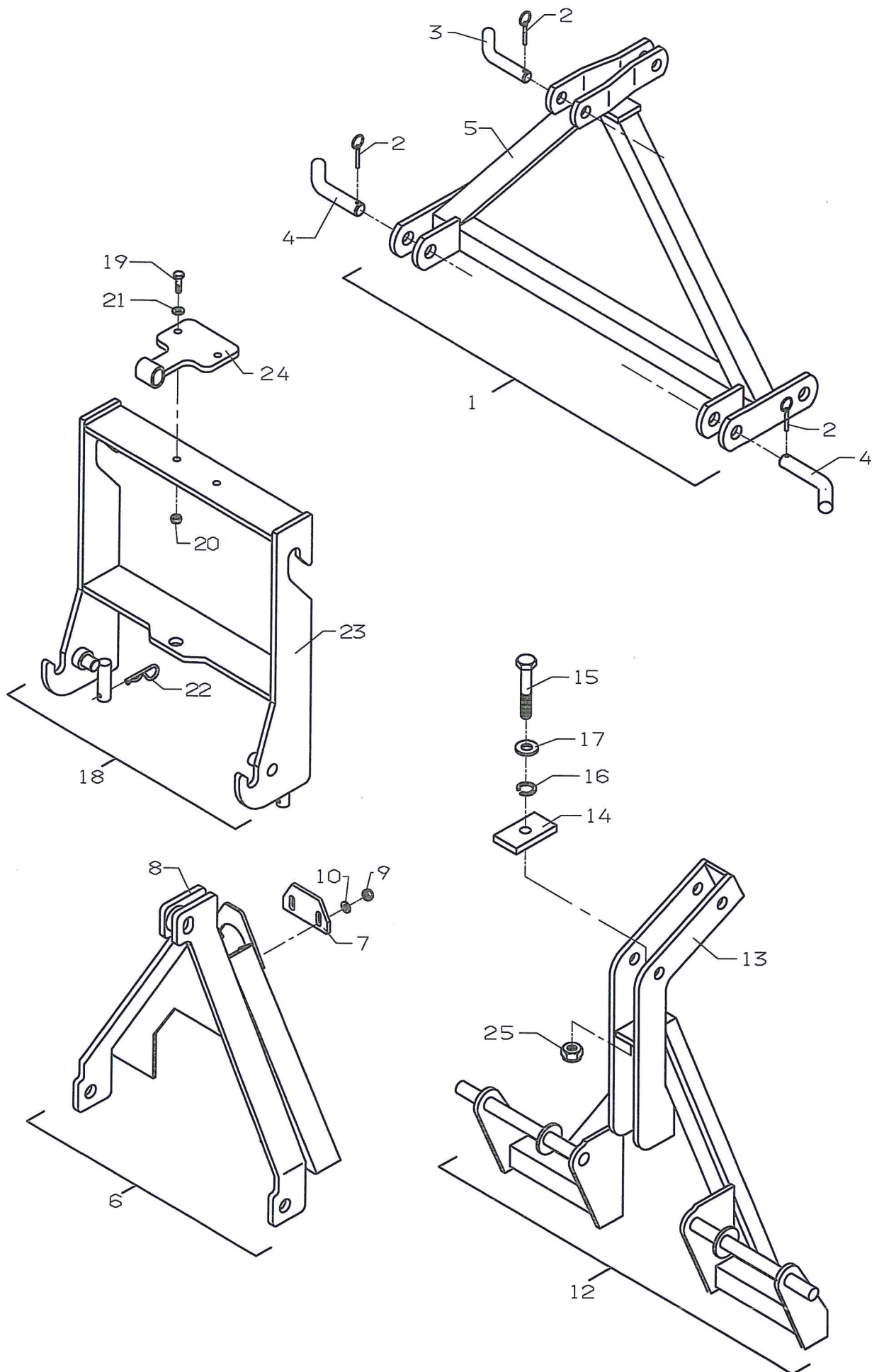
# 200 - 300 G/H/K

	Mænderegulering	Hydr. flow regulation valve	Mengereg.	
Pos	Res.no.			Note
1	V1900030	Sæt, mængderegulering 200/300H	Set, hydr. flow regulation 200	Satz, hydr. Mengenregler 200-3
2	21000603	Hydr. T Ø120ml-Ø120ml-Ø120ml	Hydr. T Ø120ml-Ø120ml-Ø120ml	Hydr. T ø120ml
3	21000705	Hydr. vinkel Ø12m/oml x 1/2"K	Hydr. elbow ø12m/oml x 1/2"K	Hydr. Winkel ø12
4	21000825	Hydr. brystnippel 1/2"XØ12stud	Hydr. hexagon nipple 1/2"xø12	Hydr. Reduziernippel 1/2"xø12
5	21010203	Olieprop 3/8" gr.508 din 908	Drainplug 3/8"	Pfropfen 3/8"
5	21075406	Prioritetsventil DOVFC001/2050	Priority valve DOVFC001/2050LH	Prioritätsventil
6	21016105	Hydr. slange 3/8"x650	Hydr. hose 3/8"x600	Hydr. Schlauch 3/8"x600
7	22002105	Mask. bolt M6X50 8.8 fzb	Bolt M6x50 8.8 fzb	Bolzen M6x50
8	22052002	Låsemøtrik M6 FZB	Lock nut M6 FZB	Gegenmutter M6
9	22058401	Skive M6 FZB 18/6,4x1,6	Washer M6 FZB 18/6,4x1,6	Scheibe M6



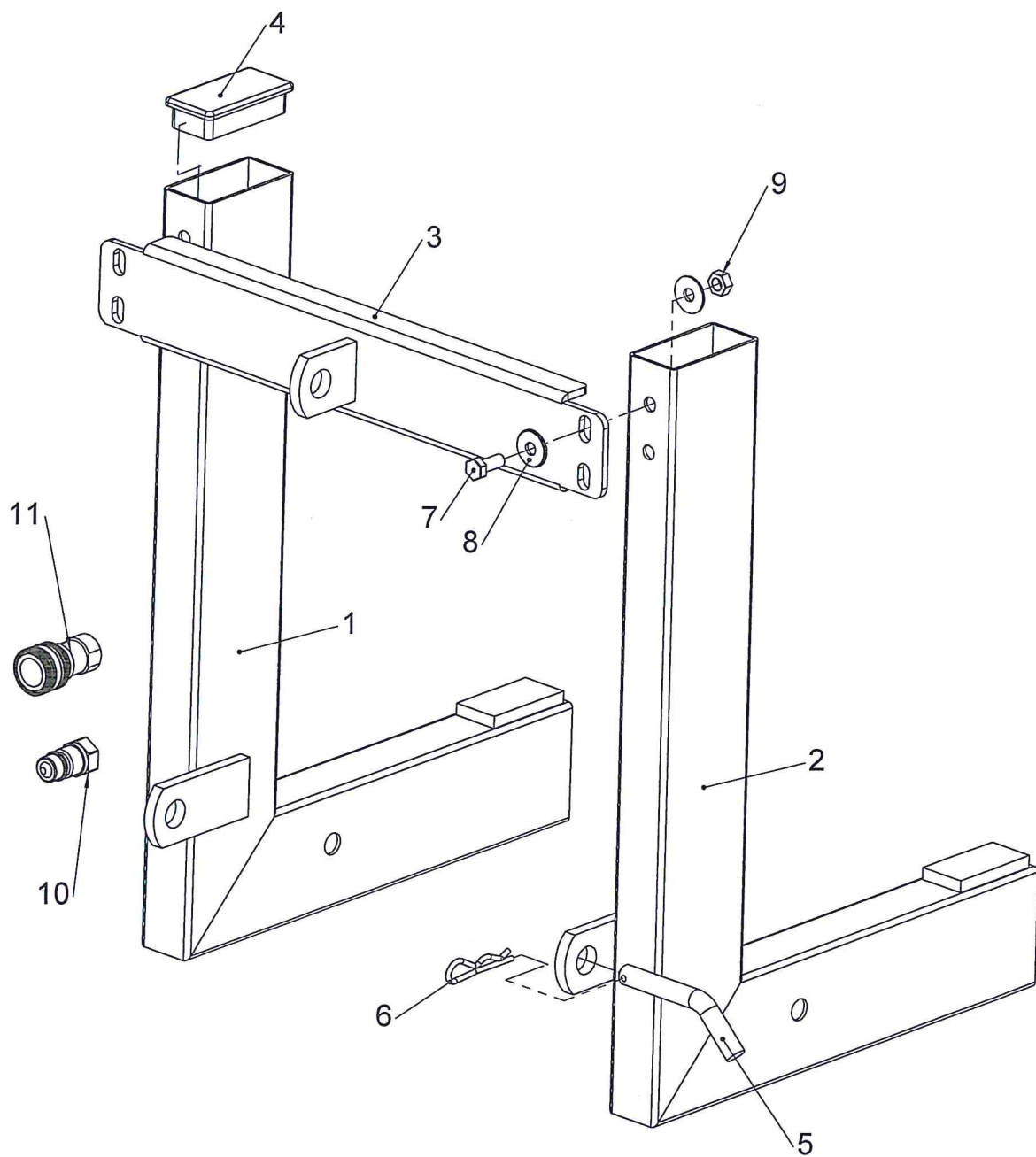
# 200 - 300 G/H/K

Pos	Res.no.	Ekstra omrør	Exstra Stirrer	Extra Umröhren	Note
1	V1900013	Sæt, ekstra omrører for 200 K	Set, extra stirrer 200K	Satz, extra Umröhrwelle 200K	
1	V1900014	Sæt, ekstra omrører for 300 K	Set, extra stirrer 300K	Satz, extra Umröhrwelle 300K	
2	22002211	Mask. bolt M8x100 8.8 fzb	Bolt M8x100	Bolzen M8x100	
3	22077015	Rustfri bolt M8x90	Stainless bolt M8x90 DIN 931 A	Rostfrei Bolz M8x90	
3	22077103	Rustfri låsemøtrik M8	Stainless lock nut M8 DIN 985	Rostfrei Gegenmutter M8	
4	22077043	Rustfri brædebolt M8x30	Stainless carriage bolt M8x30	Rostfrei Schwellenschraube M8x	
5	22077532	Rustfri skive ø16/ø8,4x1.5	Stainless washer ø16/ø8,4x1.5	Rostfrei Scheibe	
6	23000401	Feder 6x6x20 form A	Key 6x6x20 form A	Feder 6x6x20 form A	
7	25020000	Flangeleje UCF 204 Ø20	Flanged bearing 204	Flanschenlager 204	
8	8000004	Gummiprop ø25/30 10806	Rubber plug ø31	Gummistöpsel ø31	
9	8000005	Gummitætningsliste 5x8	Rubber sealing profile 5x8	Gummidichtungsliste 5x8	
10	s7400020	Lejedæksel f. 204	Bearing cap	Lagerdeckel	
11	V1005100	Pakning f. UCFL 204	Rubber Packing Ø48/ø20x2 - NBR	Dichtung	
12	V1105000	Bagplade v/leje UCF 204	Back plate a/bearning UCF 204	Platte für Lager UCF 204	
13	V1106000	Omrører til type 100/200	Stir Type 100/200	Umröhren, Montiert	
13	V1106001	Omrører til type 120/300	Stirrer type 120/300	Umrühren	
14	V1106040	Fjeder f. omrører	Spring	Feder	
15	V1106041	Omrører svejst	Agitator	Umröhren	
15	V1106042	Omrører svejst	Agitator	Umröhren	
16	V1303000	Tandhjul 38z-M3/ø20 not 6mm	Gear-wheel	Zahnrad	
17	V1305001	Skærm ved kædedrev, ekstra omr	Cover for transmission	Deckel für Kettenkasten	
18	V1900011	Sæt, ekstra omrører for 200 G/	Set, extra stirrer 200G/H	Satz, extra Umröhrwelle 200G/H	
18	V1900012	Sæt, ekstra omrører for 300 G/	Set, extra stirrer 300G/H	Satz, extra Umröhrwelle 300G/H	
19	26020028	Chainwell 1/2"-Z25/Ø20	Chain wheel 1/2"-Z25/Ø20	Kettenrad 1/2"	
20	26030021	Udv. samleled simp.1/2"	Joint link 1/2"	Zwischenglied	
21	V1101001	Skærm ved kædedrev, ekstra omr	Cover for transmission	Deckel für Kettenkasten	
22	V1118000	99Simp. kæde 1/2"x5/16"-62 led	Chain wheel 1/2"	Kettenrad 1/2"	



# 200 - 300 G/H/K

Pos	Res.no.	Ekstra udstyr	Exstra equipment	Extra Ausrüstung	Note
1	V1900034	Sæt, forlængerkonsol for 200K/	Set, longer three-point hitch	Satz, Länger Dreipunktconsole	
2	23006000	Traktorsplit Ø4,5X33/35 FZB	Split pin Ø4,5X33/35 FZB	Splint ø4,5x40	
3	V1015000	Nagle for toppunkt	Spike f. summit	Nagel f. Gipfel	
4	V1016000	Nagle for liftarm	Spike f. liftarm	Nagel f.	
5	V1900046	Forlængerkonsol for 200K/300K	Longer threepointhitch	Länger Freipunktconsole	
6	V1900025	Sæt, A-ramme for 200-300 - kat	Set, A-frame for 200/300 Cat.	Satz, A-Rahm für 200/300 Kat.	
7	V1900122	Låseplade for 200-300	Latch plate f. 200-300	Schließenplatte	
8	V1900050	A-ramme for 200-300, kat. 0	A-frame	A-Rahmen	
9	22052003	Låsemøtrik M8 FZB	Lock nut M8 fzb	Gegenmutter M8	
10	22058600	Skive M8 FZB 24/8,4x2	Washer M8 FZB Ø24XØ8,4x2	Scheibe M8	
12	V9900030	Sæt, trepunktsophæng kat.1 til	Set A-frame cat.1 for Carraro	Satz, A-Rahm Anbauteil Kat.1 f	
13	V9903000	A-ramme f. Carraro svejst	A-frame f. Carraro	A-Rahmen f. Carraro	
14	V9903112	Holdepl. f. A-ramme	Stop f. A-frame	Haltestelle f. A-Rahmen	
15	22008704	Sætskrue M16X40 8.8 FZB	Set screw M16x40 fzb 8.8	Satzschraube M16x40	
16	22056500	Centerfjederskive M16 FZB	Spring washer M16 fzb	Federscheibe M16	
17	22058701	Sværskive 5/8" FZB 35/17,5x3	Washer 5/8" FZB 35/17,5x3	Scheibe 5/8"	
18	V1900062	Sæt, ophæng for 200/300 G-H-K	Set, suspension for 200/300 G-	Satz, Anbauteil für 200/300 G-	
19	22008405	Sætskrue M10x35 8.8 fzb	Set screw M10x35 8.8 fzb	Satzschraube M10x35	
20	22052004	Låsemøtrik M10 FZB	Lock nut M10 FZB	Gegenmutter M10	
21	22058411	Skive M10 FZB 20/10.5X2	Washer M10 FZB 20/10.5X2	Scheibe M10	
22	23006022	Hårnålesplit Ø4 type B	Split pin ø4	Splint ø4	
23	V1900060	Kobling for 100 Valsespreder/	Coupling	Kupplung	
24	V1900061	Topfæste for 200/300 svejst	Top holder	Topp heften	
25	22052007	Låsemøtrik M16 FZB	Lock nut M16 fzb	Gegenmutter M16	



# 200 - 300 G/H/K

	Ekstra udstyr	Extra equipment	Extra Ausrüstung	
Pos	Res.no.			Note
1	V1900065	V.Ophængsprofil for Belos Tran	L. Hitch for Belos Trans	L. Aufhangung Belos Trans
2	V1900066	H.Ophængsprofil for Belos Tran	R. Hitch for Belos	R. Aufhangung Belos
3	V1900067	Topstangsfæste f. Belos TransP	Top bar	Stange
4	8010001	Plastprop 50x100	Plastic plug 50x100	Plastik Pfropfen 50x100
5	V9019118	Nagle for ophæng, Ø16	Spike for hitch	Nagel für Aufhängung
6	23006022	Hårnålesplit Ø4 type B	Split pin ø4	Splint ø4
7	22008403	Sætskrue M10x25 8.8 FZB	Set screw M10x25 fzb 8.8	Satzschraube M10x25
8	22058700	Skive M10 FZB 30/10.5X2.5	Washer M10 Ø30/ Ø10,5X2,5 FZB	Scheibe M10
9	22050400	Møtrik rustfree M10 8.8	Stainless steel Nut M10	Mutter M10
10	21000402	Hankobling 1/2" sterling	Male hydraulic snap coupling 1	Hydr. Anschluss 1/2"
11	21000302	Hunkobling 1/2" sterling	Female coupling 1/2"	Hydr. Anschluss inw.g.